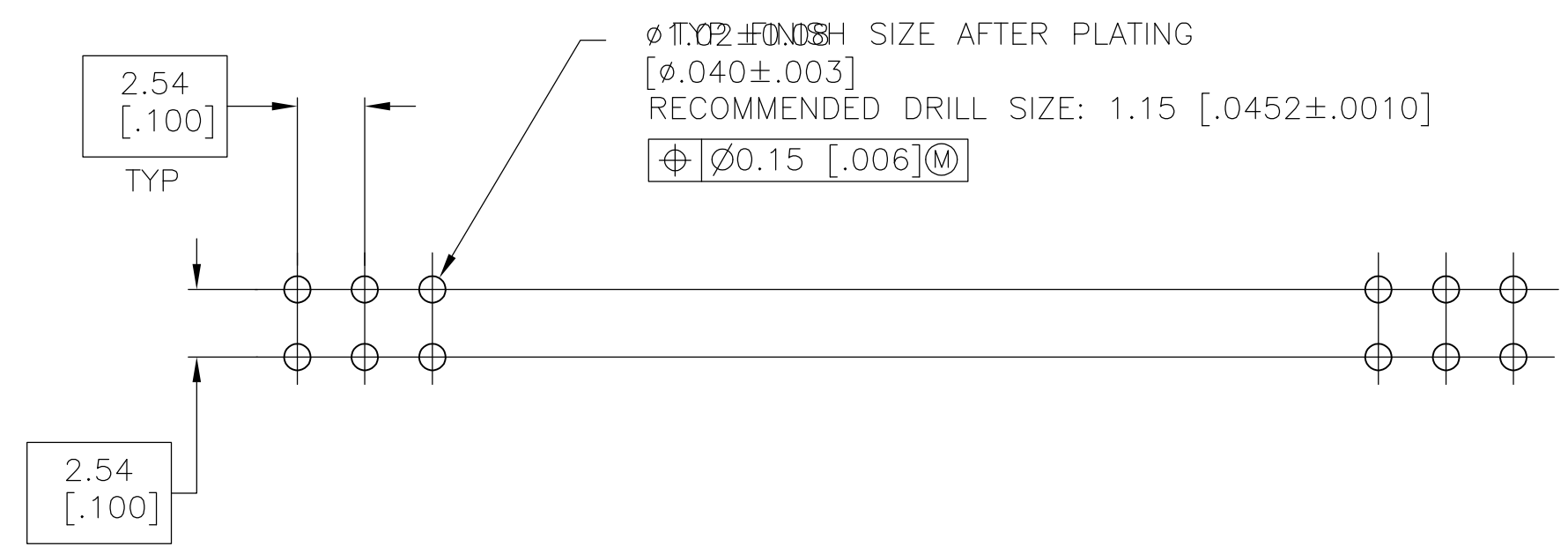
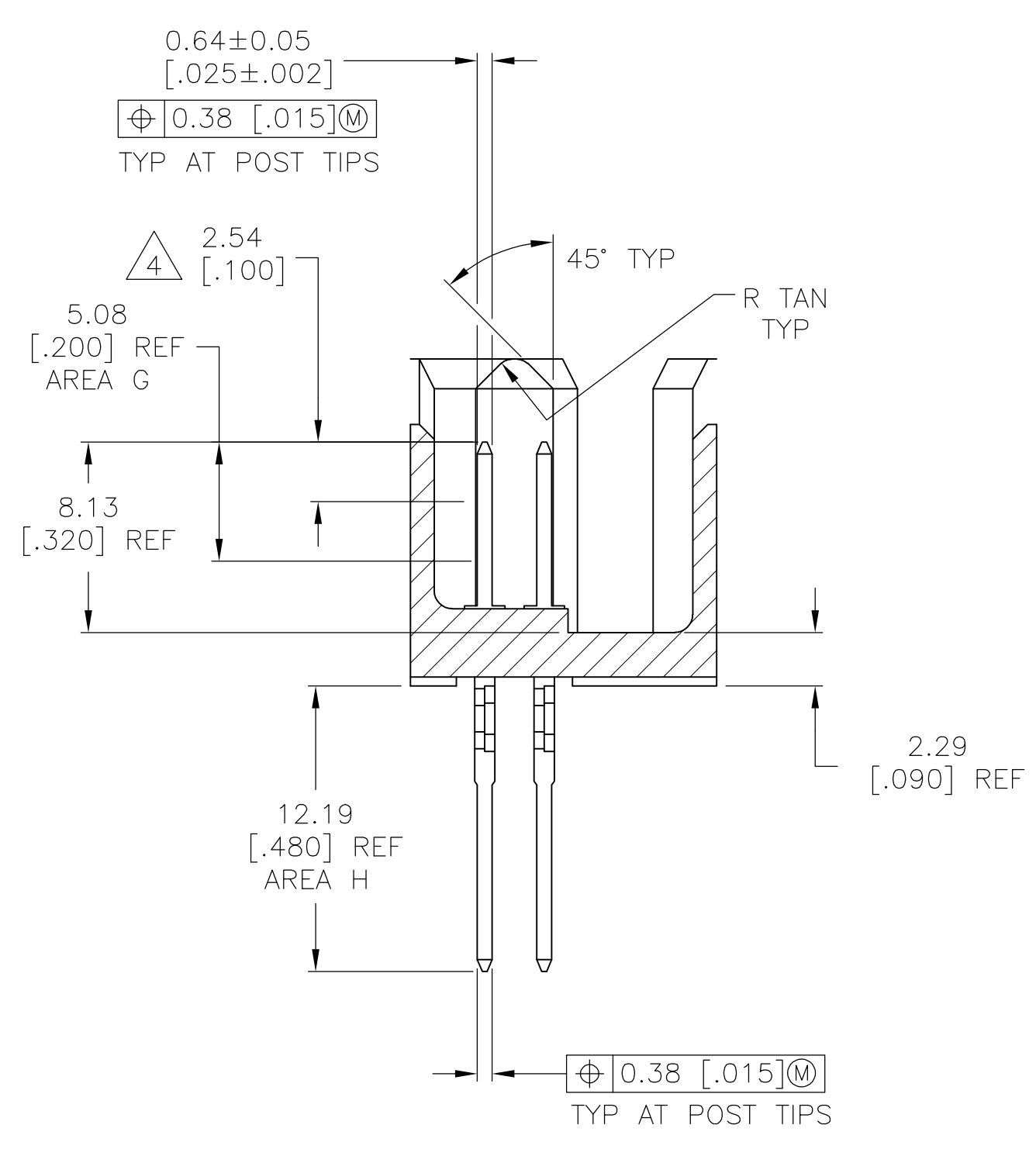
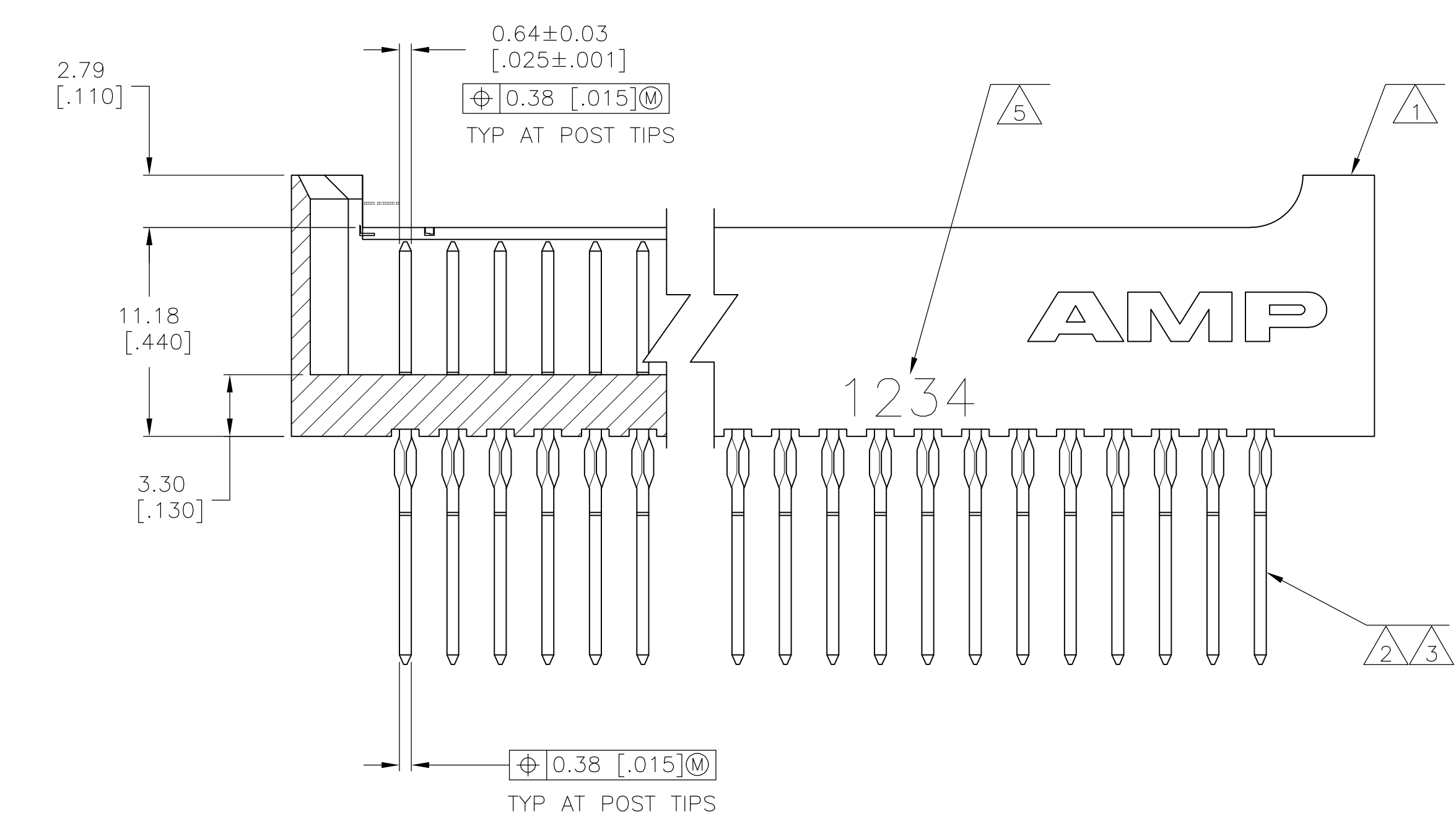
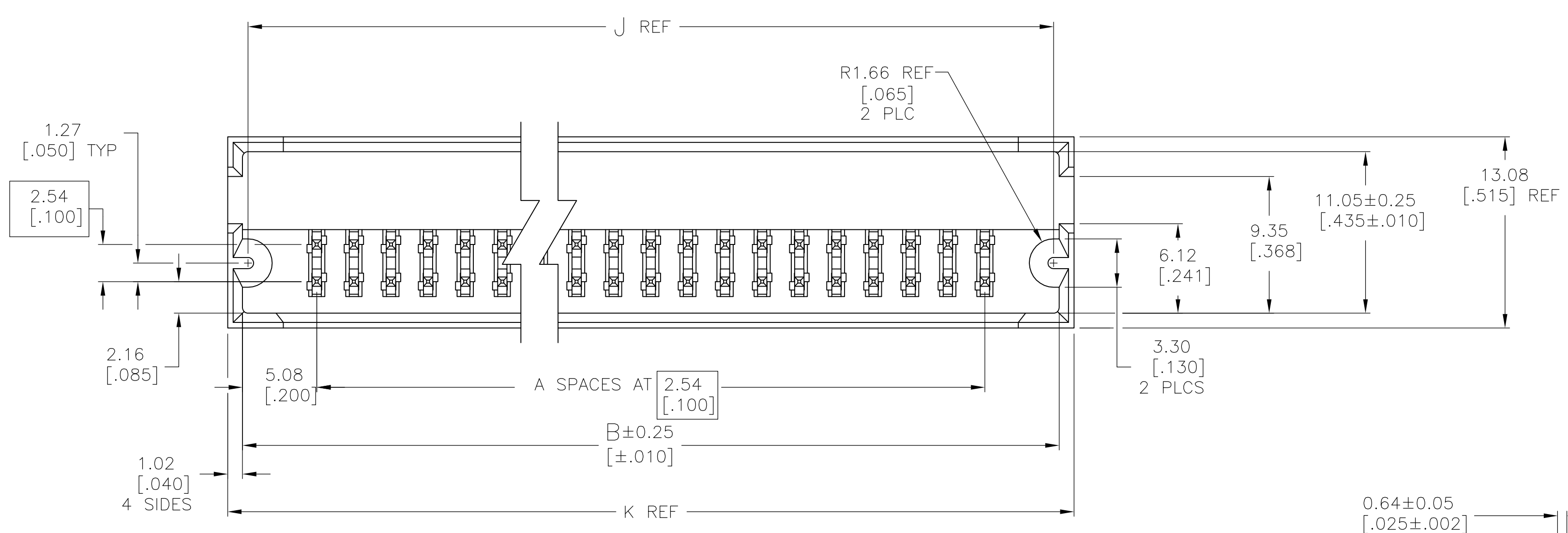


LOC		DIST		REVISIONS			
IF	LTR	DESCRIPTION	DATE	DRN	APVD		
G		ECO-07-016583	11DEC07	MB	JO		



- 1 HOUSING: FLAME RETARDANT THERMOPLASTIC; COLOR: BLACK.
- 2 POST: COPPER ALLOY.
- 3 POST FINISH: 0.00076 [.000030] GOLD IN AREA G, 0.00038 [.000015] GOLD IN AREA H, ALL OVER 0.00127 [.000050] NICKEL.
- 4 POINT OF MEASUREMENT FOR PLATING THICKNESS.
- 5 RECESSED DATE CODE.
- 6 CSA LOGO RECESS STAMPED ON HOUSING.

	K	J	B	A	NO OF POSN	PART NUMBER
						2-102666-8
						2-102666-7
						2-102666-6
						2-102666-5
						2-102666-4
						2-102666-3
						2-102666-2
						2-102666-1
						2-102666-0
						1-102666-9
						1-102666-8
						1-102666-7
						1-102666-6
						1-102666-5
						1-102666-4
						1-102666-3
						1-102666-2
						1-102666-1
						1-102666-0
						102666-9
						102666-8
						102666-7
						102666-6
						102666-5
						102666-4
						102666-3
						102666-2
						102666-1

THIS DRAWING IS A CONTROLLED DOCUMENT. DWG: K.L.CLOUSER/UTA 02APR91
 CHK: D. SARVER 19JUN91
 TOLERANCES UNLESS OTHERWISE SPECIFIED:
 DIMENSIONS: mm [INCHES]
 0 PLC ± -
 1 PLC ± -
 2 PLC ± 0.13 [.005]
 3 PLC ± -
 4 PLC ± -
 ANGLES ± -
 MATERIAL: HOUSING: 1
 POST: 2
 FINISH: 3
 THIS DRAWING IS A CONTROLLED DOCUMENT. DWG: K.L.CLOUSER/UTA 02APR91
 CHK: D. SARVER 19JUN91
 NAME: Tyco Electronics Corporation Harrisburg, Pa 17105-3608
 PRODUCT SPEC: HEADER ASSY, MOD II, DOUBLE ROW, 2.54 X 2.54 [.100 X .100] CL, 0.64 [.025] SO COMPLIANT POST, FOR BOARDS 2.36 [.093] NOM & THICKER
 APPLICATION SPEC: -
 SIZE: A1
 CAGE CODE: 00779
 DRAWING NO: 102666
 WEIGHT: -
 CUSTOMER DRAWING
 SCALE: 4:1
 SHEET: 1 OF 1
 REV: G