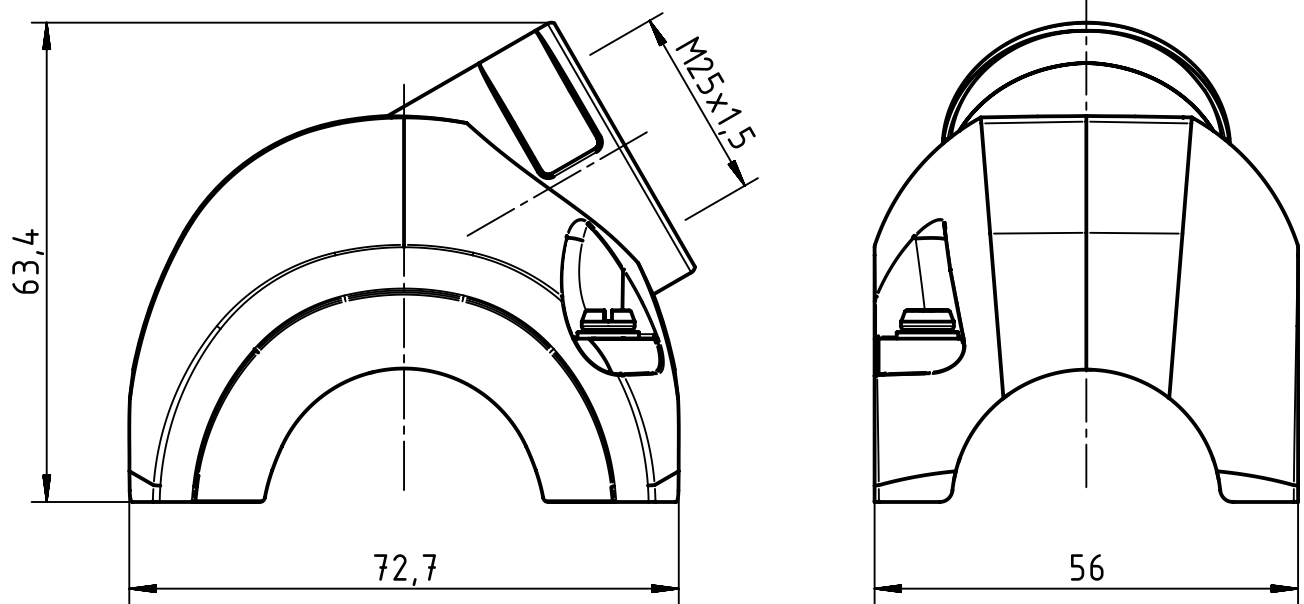


A

B

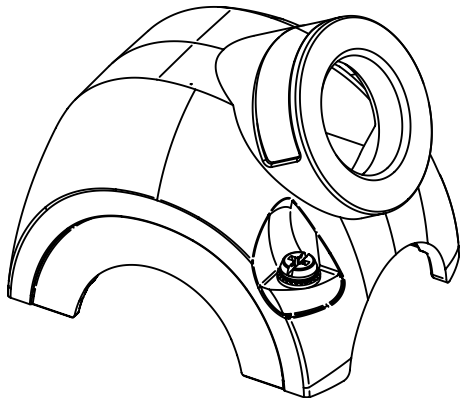
C


D



range of delivery: shell with M4 screws, washers and seals
to mount on carrier hood

outer surfaces blasted



	All rights reserved Department EL PD - DE	All Dimensions in mm Original Size DIN A4		Scale 1:1	Free size tol.		Ref.	
		HARTING Electric GmbH & Co. KG D-32339 Espelkamp	Created by RULLKOETTER	Inspected by SCHNIEDER	Standardisation SCHMIDTM	Date 2014-12-17	State Final Release	Sub.
Title Han-Yellock 30 EMC Shell Side Entry M25							Doc-Key / ECM-Nr. 100185756/UGD/006/B 500000083086	
Type TB				Number 11 12 300 1581			Rev. B	Page 1/1