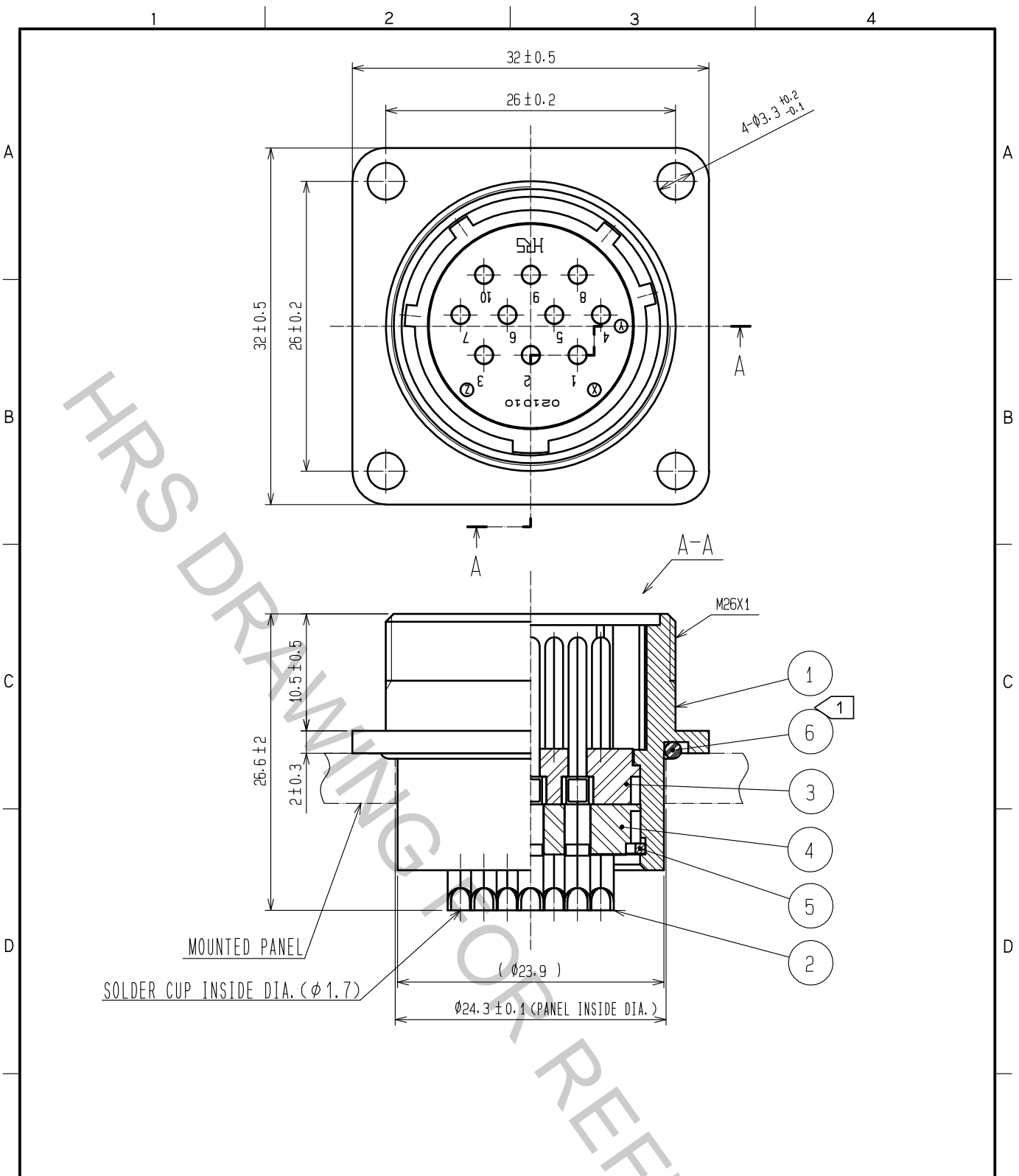


Aug.1.2018 Copyright 2018 HIROSE ELECTRIC CO., LTD. All Rights Reserved.
 In case that the application demands a high level of reliability, such as automotive,
 please contact a company representative for further information.



NOTE ① MAKE SURE THAT REF. NO. ⑥ DOES NOT HAVE ANY FACTORS TO REDUCE WATER-RESISTANCY.
 SUCH AS SCRACH, TWIST, PINGHING, OR DUST.

3	PHENOL-FORMALDEHYDE	(BLACK) UL94V-0	6	ACRYLONITRILE BUTADIENE RUBBER	(BLACK)
2	COPPER ALLOY	SILVER PLATING 3 μm min.	5	PHOSPHOR BRONZE	NICKEL PLATING
1	ALUMINUM ALLOY	BLACK CHROME PLATING	4	PHENOL-FORMALDEHYDE	(BLACK) UL94V-0
NO.	MATERIAL	FINISH . REMARKS	NO.	MATERIAL	FINISH . REMARKS

UNITS mm		SCALE 2 : 1	COUNT 	DESCRIPTION OF REVISIONS	DESIGNED	CHECKED	DATE
HIROSE ELECTRIC CO., LTD.				APPROVED :HY. KOBAYASHI 18. 02. 22 CHECKED :HY. KOBAYASHI 18. 02. 22 DESIGNED :TH. KAMEYA 18. 02. 22 DRAWN :MK. INOUE 18. 02. 13	DRAWING NO. EDC-110580-31-00 PART NO. JR21WR-10P(31) CODE NO. CL114-2027-9-31		