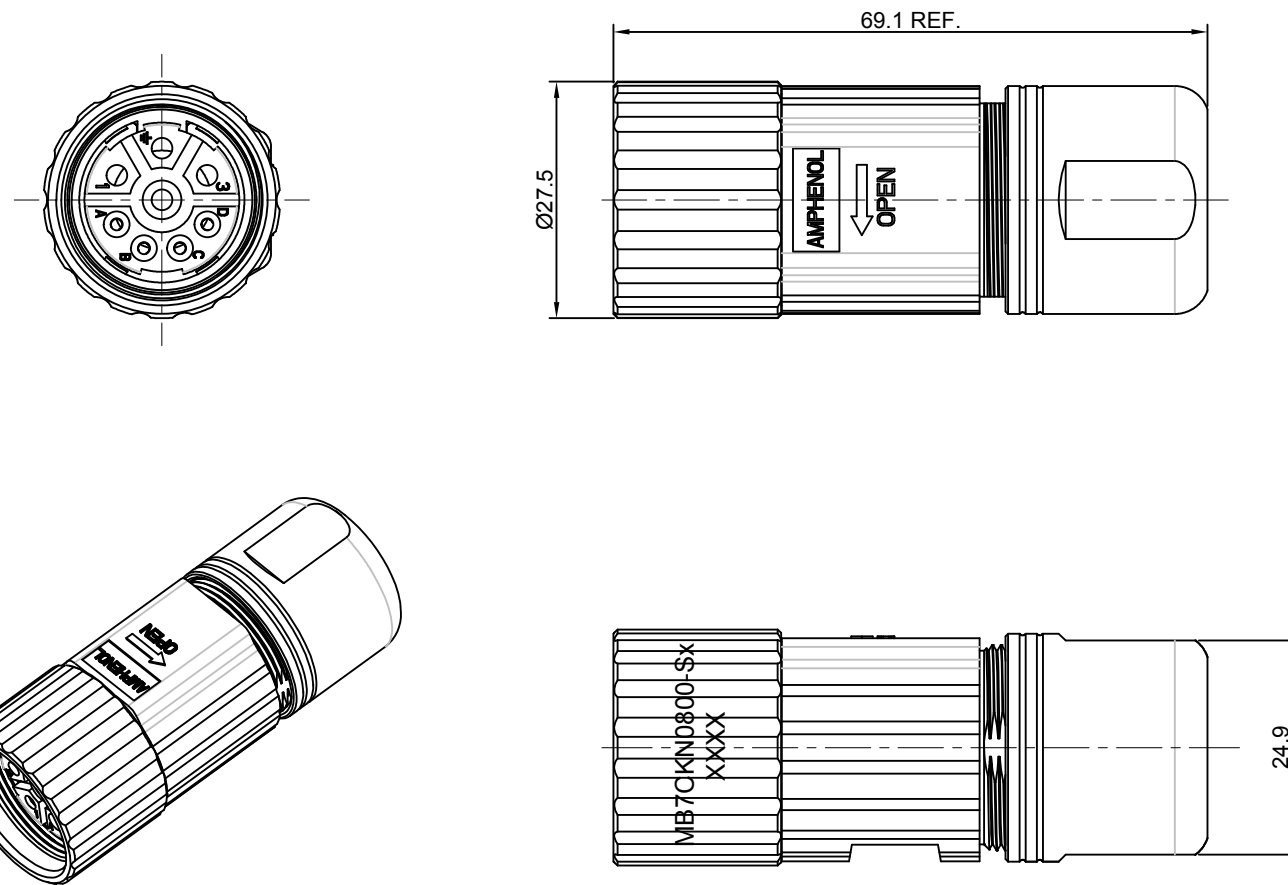


REVISIONS					
REV	ECO	DESCRIPTION	DATE	BY	APPR
A1	-	FIRST RELEASE	Oct.30,2017	White	Tommy

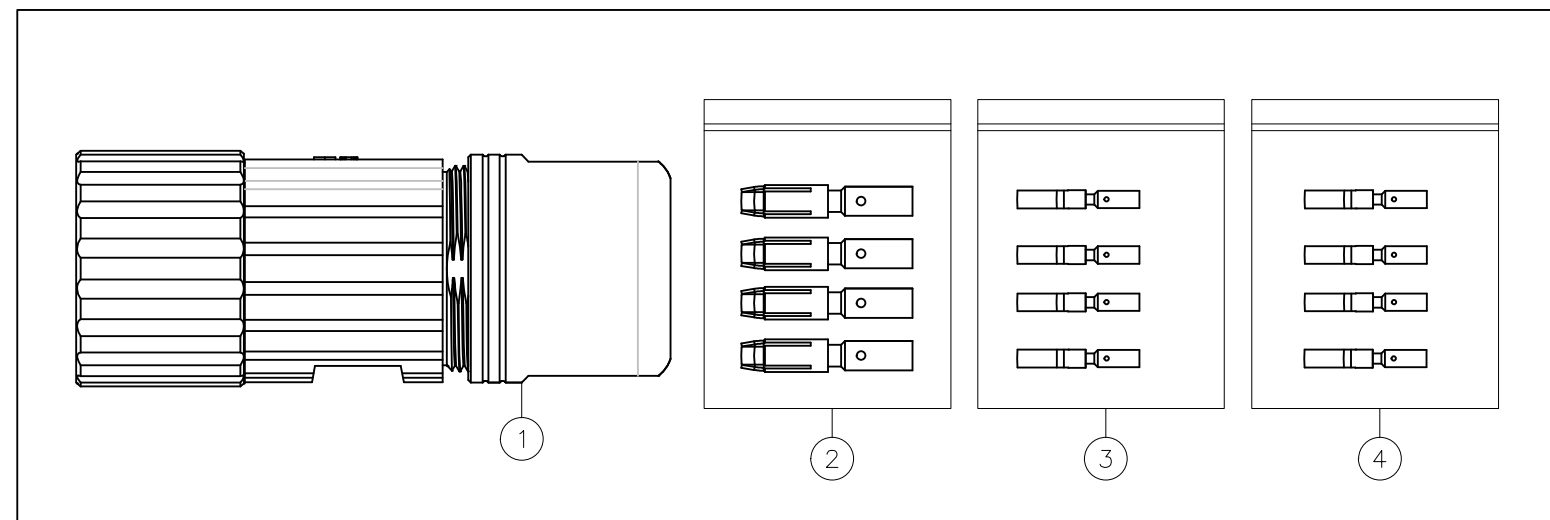


NOTES: UNLESS OTHERWISE SPECIFIED

- MATERIAL:
 INSULATION INSERT:PA66,UL94 V0
 SEAL: VITON, EPDM
 HOUSING BODY: ZINC DIE CAST, NICKEL PLATED
 COUPLING NUT: COPPER ALLOY, NICKEL PLATED
 CONTACT: COPPER ALLOY, GOLD PLATED
- SPECIFICATIONS:
 - CURRENT RATING: SIGNAL: 10 AMPS
POWER: 30AMPS
 - VOLTAGE RATING: SIGNAL: 250V AC/DC
POWER: 630V AC/DC
 - CONTACT RESISTANCE: SIGNAL: <5 mOHMS
POWER: <3 mOHMS
 - OPERATING TEMPERATURE: -20°C TO +130°C
 - DIELECTRIC WITHSTANDING VOLTAGE: LESS THAN 2 MILLIAMPS CURRENT LEAKAGE @ SIGNAL: 2500VOLTS AC.
POWER: 6000 VOLTS AC.
 - DEGREE OF PROTECTION: IP67 (MATED CONDITION)
 - DEGREE OF POLLUTION: 3 PER UL840
 - OVERVOLTAGE CATEGORY: III PER UL840
 - MATING CYCLE DURABILITY: >500 CYCLES
 - RoHS COMPLIANT

3. ALL DIMENSIONS ARE FOR REFERENCE USE ONLY.

Item	Part number	Connector P/N	Cable OD Range
1	MB7CKN0800-S1-KIT	MB7CKN0800-S1	7.5~11.0 mm
2	MB7CKN0800-S2-KIT	MB7CKN0800-S2	11.0~14.5 mm
3	MB7CKN0800-S3-KIT	MB7CKN0800-S3	14.5~17.0 mm



4	SC000385	Socket contact,1.0mm,Crimp 24~28AWG	4
4	SC000259	Socket contact,1.0mm,Crimp 18~22AWG	3
4	SC000260	Socket contact,2.0mm,Crimp 14~18AWG	2
1	MB7CKN0800-Sx	CONNECTOR	1
QUANTITY	PART NUMBER	DESCRIPTION	ITEM

MATERIALS LIST		
SIGNATURES	DATE	
DRAWN: White	Oct.30,17	<h1>Amphenol</h1> <p>Sine Systems - www.amphenol-sine.com 44724 Morley Drive Clinton Township, MI 48036</p> <p>KIT;M23B,PLUG,STR,8POS(4+4)</p>
CHECKED: Tod	Oct.30,17	
ENGINEER:		
APPROVAL: Tommy	Oct.30,17	
MATERIAL SPECIFICATIONS:	CUSTOMER:	
PROCESS SPECIFICATIONS:	THIS DRAWING IS SUPPLIED FOR INFORMATION ONLY. DESIGN FEATURES, SPECIFICATIONS AND PERFORMANCE DATA SHOWN HEREON ARE THE PROPERTY OF THE AMPHENOL CORPORATION. NO RIGHTS OF REPRODUCTION ARE IMPLIED. ALL DIMENSIONS ARE SUBJECT TO NORMAL MANUFACTURING VARIATIONS.	
NEXT ASSY:		

SIZE	TYPE	DWG NO:	REVISION
B	C-	MB7CKN0800-Sx-KIT	A1
SCALE	NONE		SHEET 1 OF 1

TITLE: KIT;M23B,PLUG,STR,8POS(4+4)

DWG NO: MB7CKN0800-Sx-KIT

REV: A1

SH: 1 OF: 1