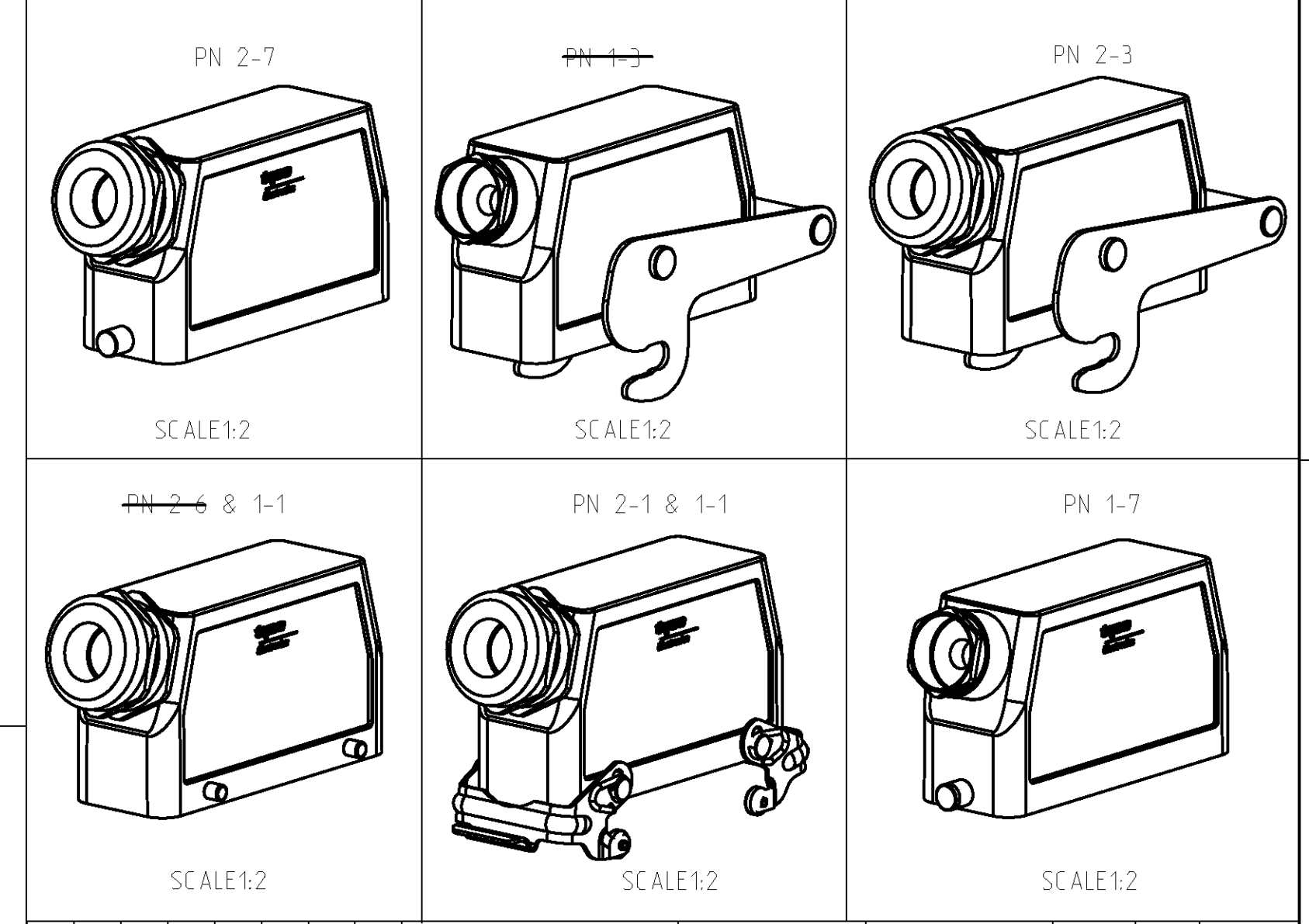


LOC	DIST	REVISIONS			
P	LYR	DESCRIPTION	DATE	DWN	APVD
B2		Released as per ECR-07-019955	22.08.07	SK	TS
B3		REVISED PER ECO-09-027197	21JAN10	KK	HMR

- NOTES:
- Material:Housing:Aluminium Diecasting Alloy
 - Surface:Varnish grey
 - Varnish on the inside not necessary
 - Packaging
Quantity 5 Pieces in a box
- OBsolete PARTS: OBSOLETE CIS STREAMLINING PER D.RENAUD/D.SINISI**



QTY	REF	DESCRIPTION	MATERIAL	SURFACE	COLOR	TEM NO	REMARKS
1		ZB-Central clip	Stainless steel	-		11	
	2	ZB-Central clip	Steel	Zinc plated	Blue	10	
		VS-Clip bolt	Stainless steel	-		9	
	2	VS-Clip bolt	Steel	Zinc plated	Blue	8	
		VS-Locking clip	Stainless steel	-		7	
	2	VS-Locking clip	Steel	Zinc plated	Blue	6	
		VS-Locking clip bolt	Stainless steel	-		5	
1	1	Cable connection round	Brass	Nickel plated		4	
	1	Pg-Gland fitting pg21	Brass	Nickel plated		3	
1	1	Hood HB.24.Pg.1.21	Aluminium	Aluminiumoxide	Black	2	
	1	Hood HB.24.Pg.1.21	Aluminium	-	Grey	1	

<p>DIMENSIONS: mm</p>	<p>TOLERANCES UNLESS OTHERWISE SPECIFIED:</p> <p>0 PLC ±</p> <p>1 PLC ±</p> <p>2 PLC ±</p> <p>3 PLC ±</p> <p>4 PLC ±</p> <p>ANGLES ±</p> <p>FINISH</p>	<p>APVD 17.07.1997</p> <p>CHK Schnurfeil</p> <p>NAME Hood HB.24</p> <p>PRODUCT SPEC HB-24003</p> <p>APPLICATION SPEC 116-74001</p> <p>WEIGHT 116-74004</p> <p>CUSTOMER DRAWING</p>	<p>DWN 17.07.1997</p> <p>CHK 17.07.1997</p> <p>NAME Tyco Electronics</p> <p>PRODUCT SPEC HB-24003</p> <p>APPLICATION SPEC 116-74001</p> <p>WEIGHT 116-74004</p> <p>SCALE 1:1</p> <p>SHEET 1 OF 1</p> <p>REV B3</p>
----------------------------------	---	---	---