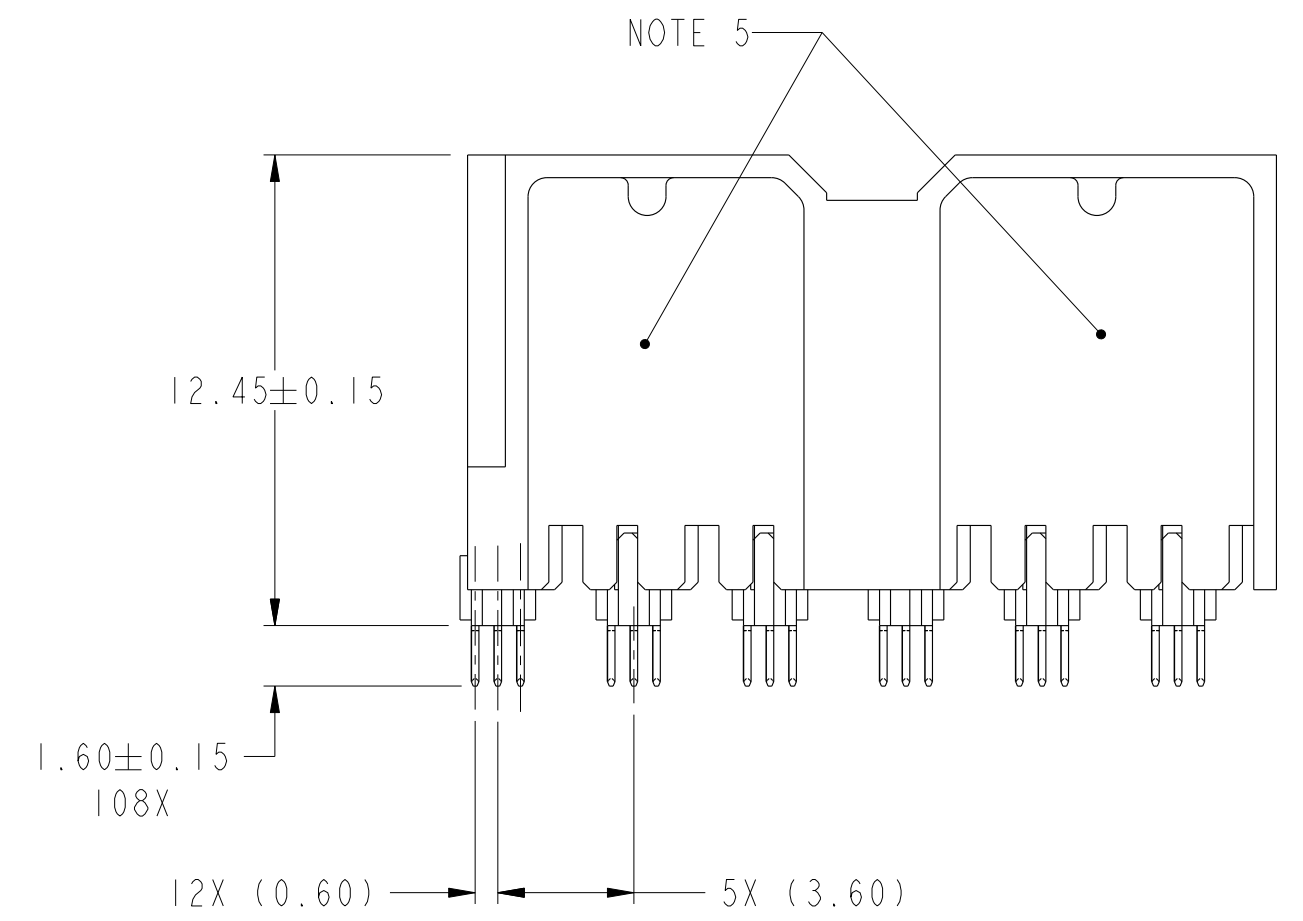
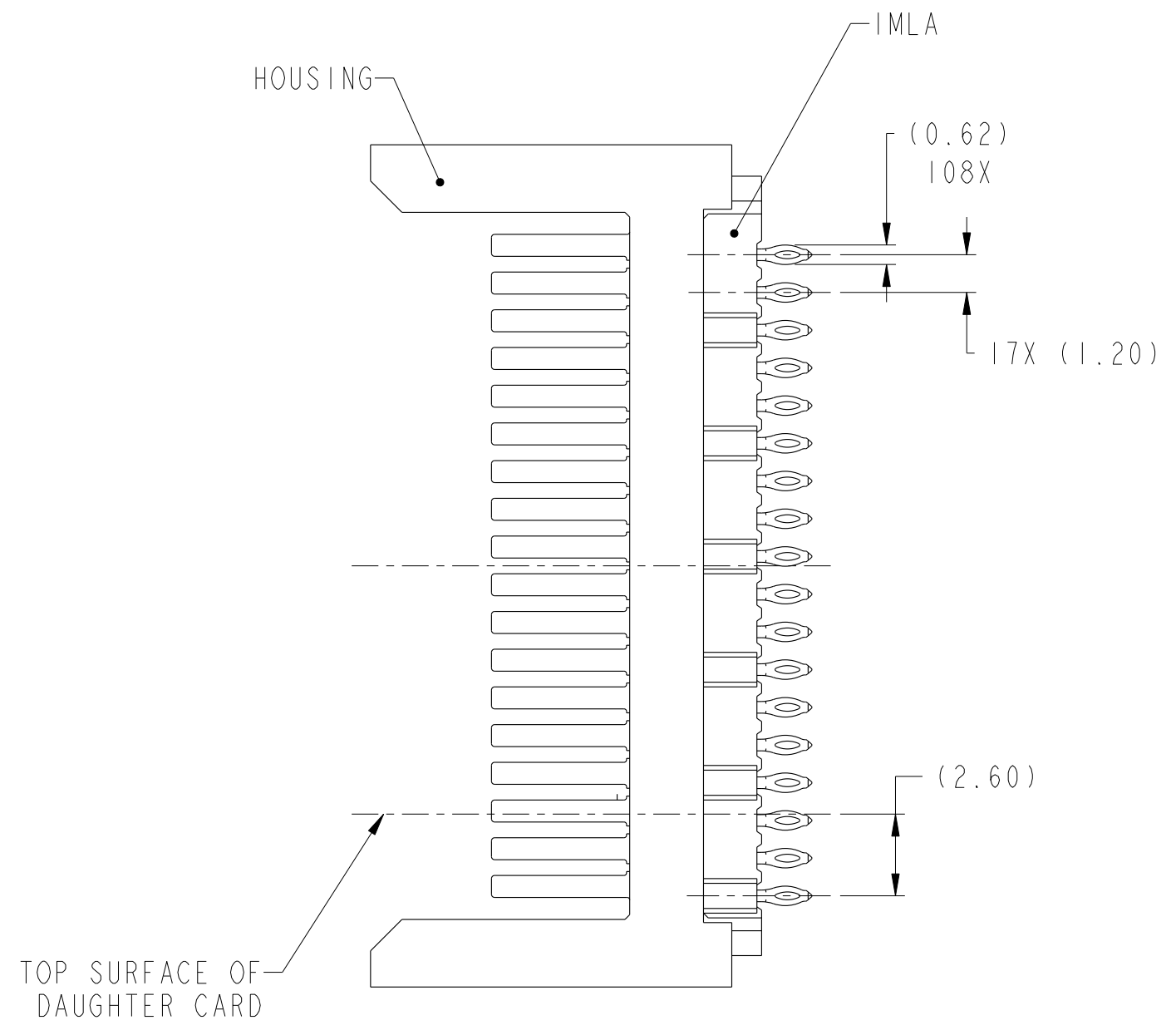
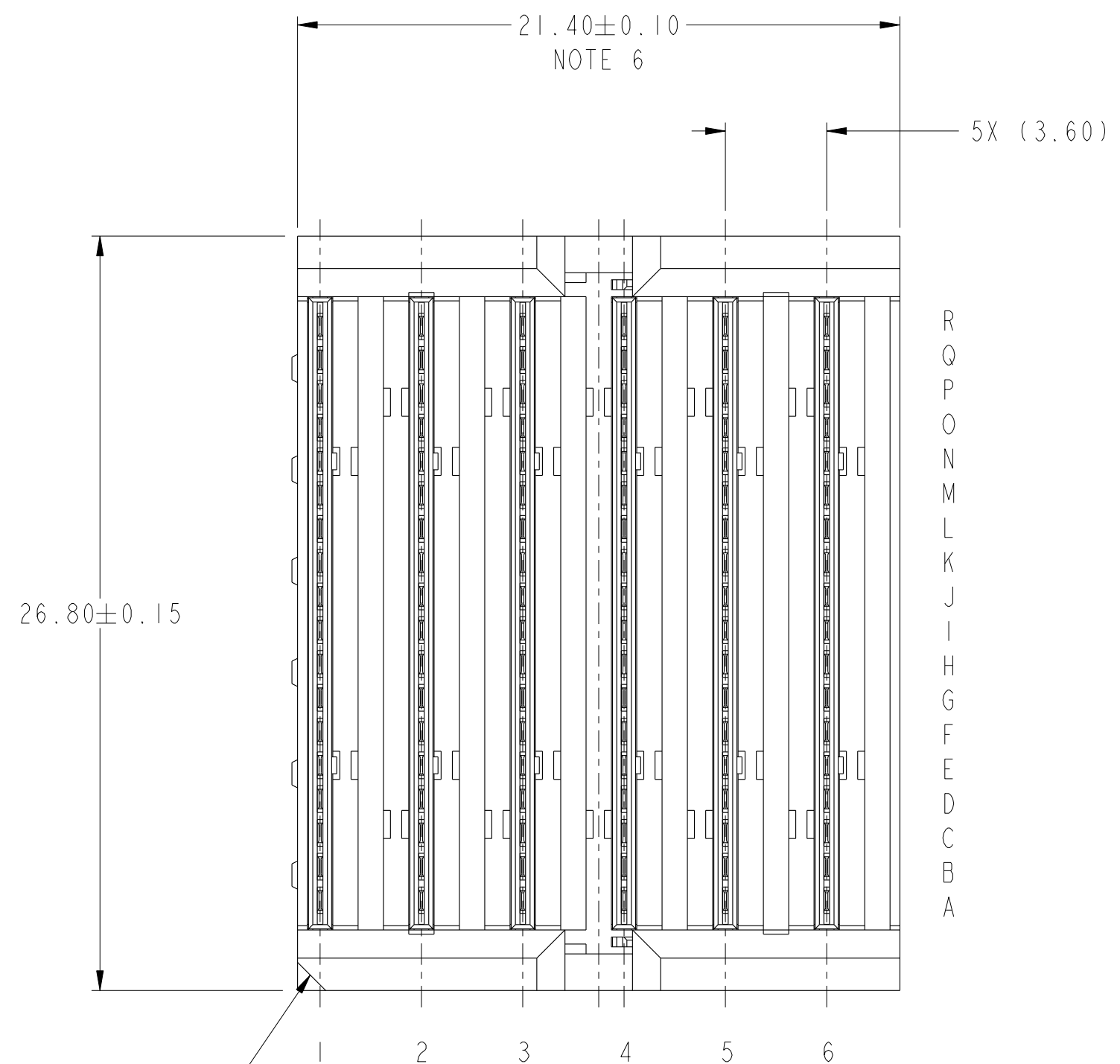


Product number
SEE TABLE, SHT 4



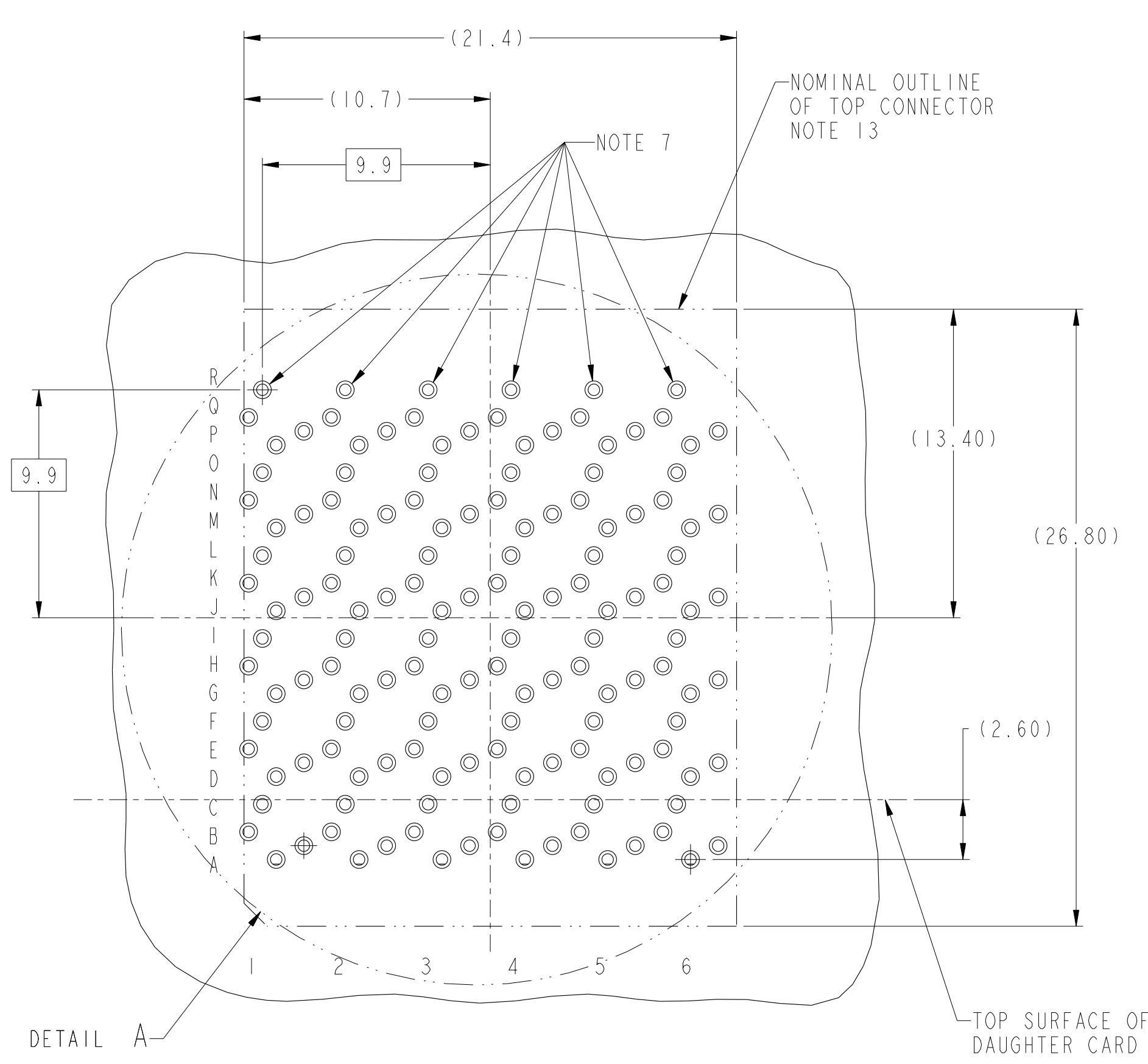
rev	ecn no	dr	date
A	S10-0016	YK	2010-01-19
-	-	-	-
-	-	-	-
-	-	-	-
-	-	-	-

www.fciconnect.com		surface ASME Y14.5	tolerance std ASME Y14.5	projection	MM
		TOLERANCES UNLESS OTHERWISE SPECIFIED			
Dr	G. HULL	2007-07-10	ANGULAR	0.x	±
Eng	Y. K. LIM	2010-01-19	LINEAR	0.xx	±
Chr	Y. K. LIM	2010-01-19	0° ±°	0.xxx	±
Appr	JOEY NG	2010-01-19	Product family		ZipLine
		Spec ref		ECN S10-0016	
		Title		ZipLine ORTHOGONAL VERT HDR	Rev. A
		Part no		6 PR, 6 IMLA, 3.6mm PITCH, 21.6mm	10078557
		Catalog no		CUSTOMER	sheet 1 of 4

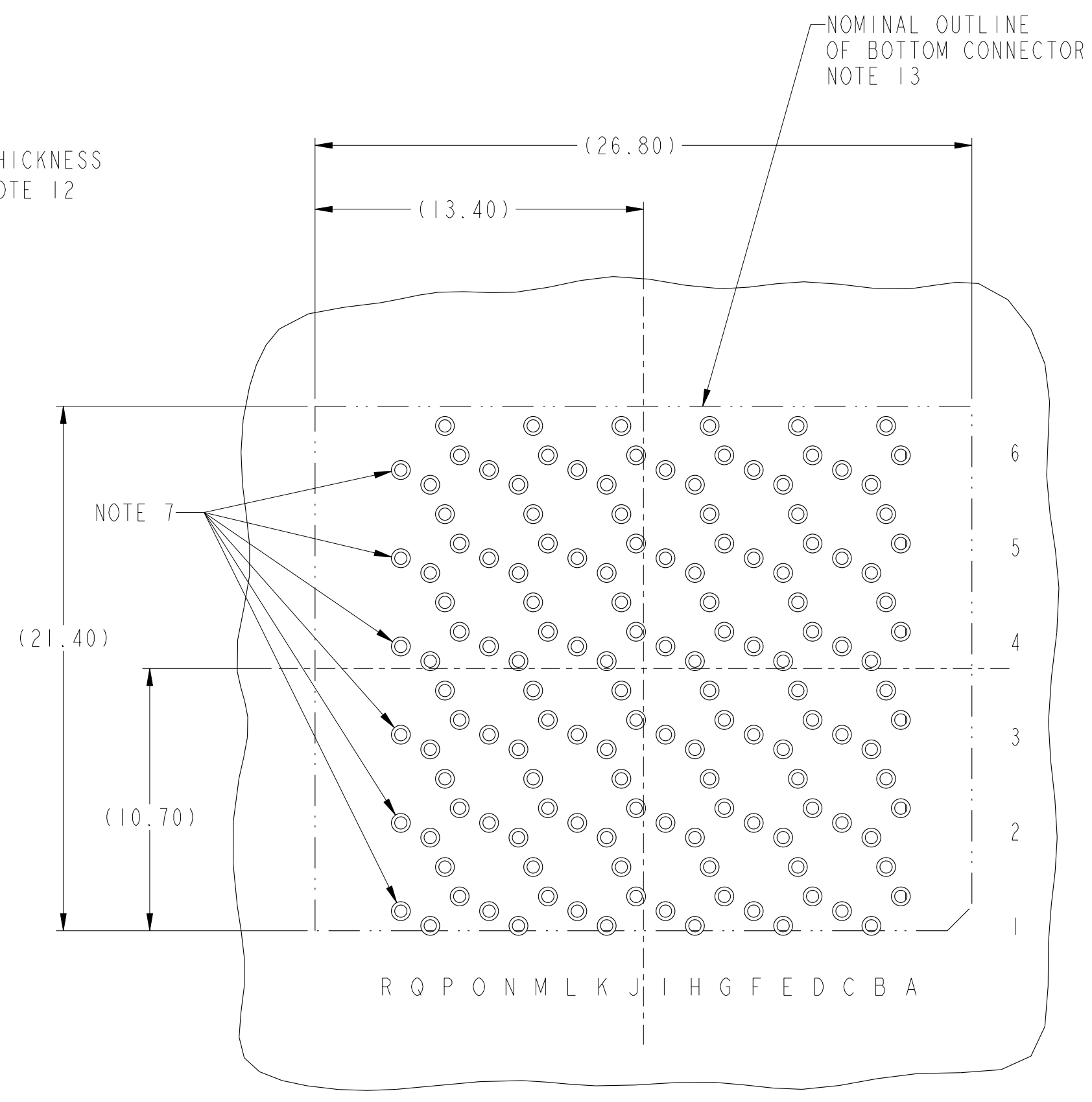
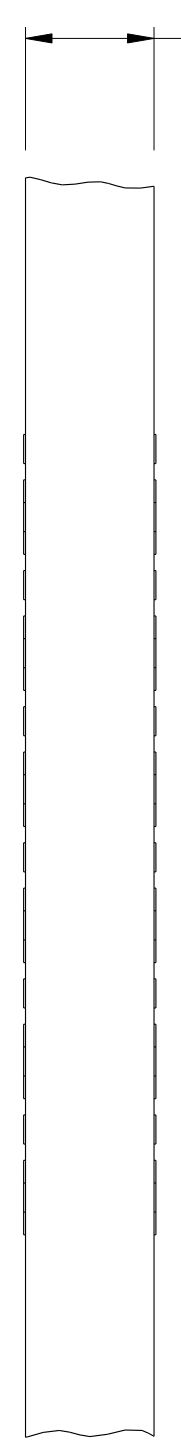
Copyright FCI.

1 2 3 4 5 6 7 8

A B C D E F



RECOMMENDED PCB LAYOUT
TOP PCB VIEW
NOTE 8

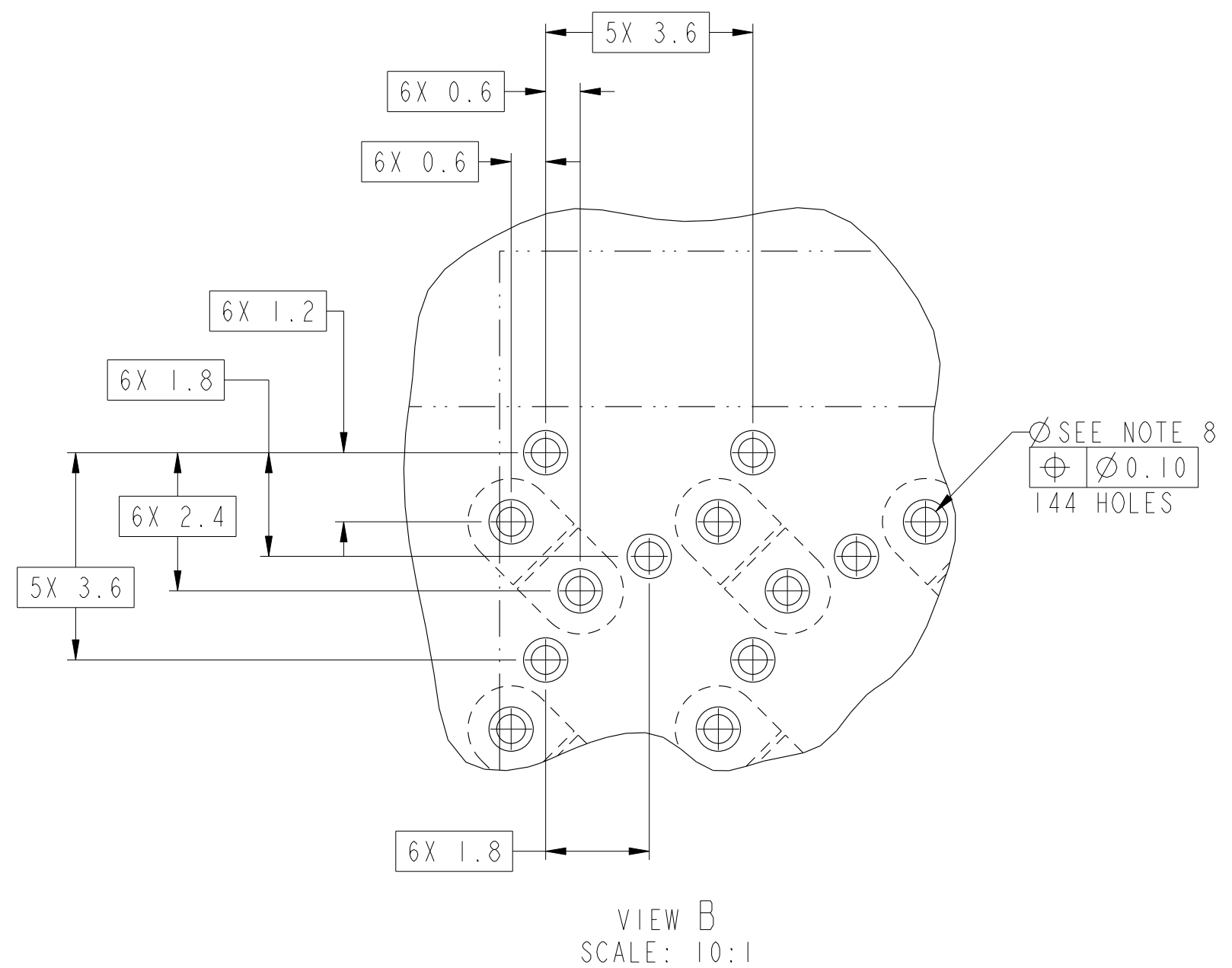
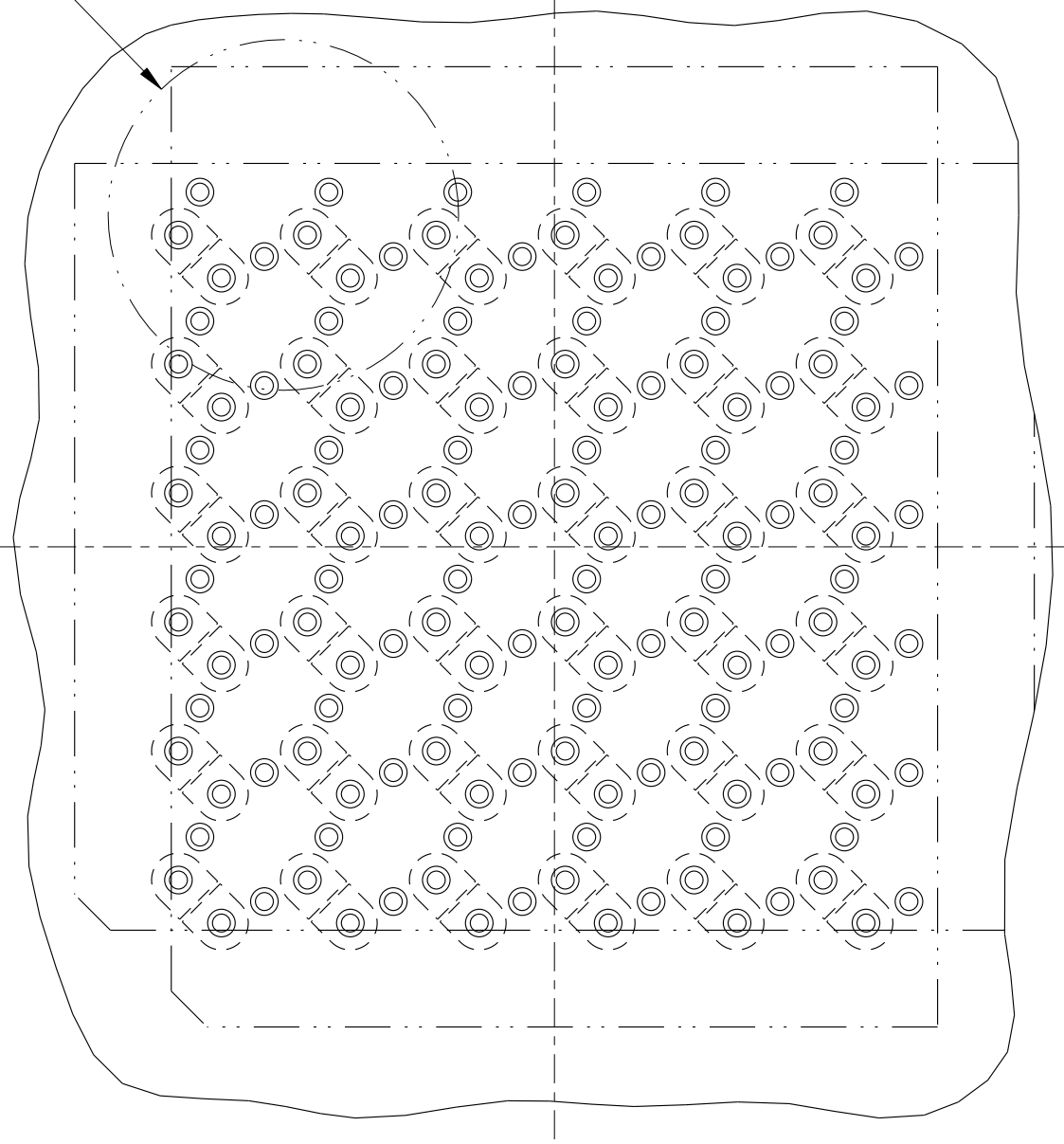


RECOMMENDED PCB LAYOUT
BOTTOM PCB VIEW

Copyright FCJ

FCJ	title	ZipLine ORTHOGONAL VERT HDR	dwg no	10078557	Rev.	A
	catalog no	6 PR, 6 IMLA, 3.6mm PITCH, 21.6mm				
CUSTOMER			sheet 2 of 4			

DETAIL B



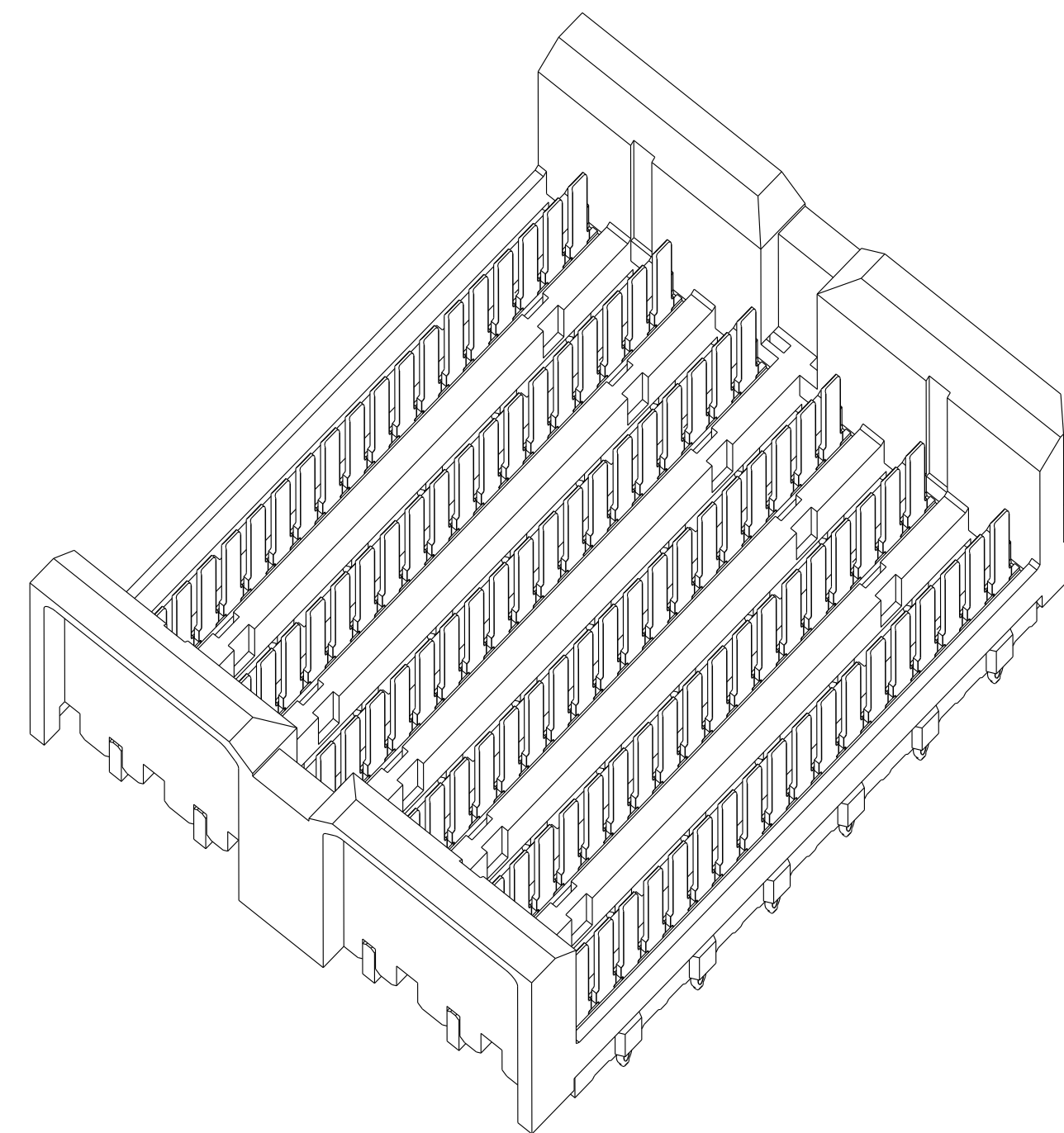
Copyright FCJ.
FCJ

	title ZipLine ORTHOGONAL VERT HDR 6 PR, 6 IMLA, 3.6mm PITCH, 21.6mm	dwg no 10078557	Rev. A
	catalog no -	CUSTOMER	sheet 3 of 4

PART NUMBER	PRESS-FIT TAIL PLATING TYPE
10078557-101	TIN LEAD ALLOY OVER NICKEL
10078557-101LF	TIN OVER NICKEL (LEAD FREE)

NOTES:

1. CONNECTOR MATERIALS:
HOUSING: HIGH TEMP THERMOPLASTIC, BLACK, UL94V-0
IMLA PLASTIC: HIGH TEMP THERMOPLASTIC, BLACK, UL94V-0
CONTACT: COPPER ALLOY
2. CONTACT PLATING:
SEPARABLE INTERFACE: PERFORMANCE-BASED PLATING, QUALIFIED TO MEET THE REQUIREMENTS OF FCI PRODUCT SPECIFICATION GS-12-452 INCLUDING TELCORDIA GR-1217-CORE (NOVEMBER 1995) CENTRAL OFFICE TEST SEQUENCE
PRESS-FIT TAILS: SEE TABLE
3. PRODUCT SPECIFICATION: GS-12-452.
4. APPLICATION SPECIFICATION: GS-20-094.
5. PRODUCT MARKING, (PART NUMBER & LOT CODE), ON THESE SURFACES.
6. FOR NON-ORTHOGONAL APPLICATIONS, THE MINIMUM CENTERLINE SPACING BETWEEN ADJACENT MODULES IS 21.6mm.
7. THERE IS NO GROUND BUSSING WITHIN THE HEADER CONNECTOR. HOWEVER, POSITIONS R1, R2, R3, R4, R5, & R6 OF THE MATING RECEPTACLE ARE BUSSED. THESE MUST BE ASSIGNED AS GROUNDS.
8. REFER TO CUSTOMER DRAWING 10045979 FOR INFORMATION ON PCB HOLE DIAMETERS AND PLATING OPTIONS.
9. THIS PRODUCT MEETS EUROPEAN UNION DIRECTIVES AND OTHER COUNTRY REGULATIONS AS DESCRIBED IN GS-22-008.
10. THE HOUSING WILL WITHSTAND EXPOSURE TO 260°C PEAK TEMPERATURE FOR 40 SECONDS IN A CONVECTION, INFRA-RED OR VAPOR PHASE REFLOW OVEN.
11. PACKAGING MEETS GS-14-920 LEAD FREE LABELING SPECIFICATION.
12. MINIMUM PCB THICKNESS TO BE 3.5mm FOR ORTHOGONAL APPLICATIONS.
13. CONNECTOR OUTLINE WITH HOUSING POS A1 INDICATOR MAY BE SCREEN PRINTED ONTO CUSTOMER PCB TO BE USED AS A GUIDE FOR MANUAL CONNECTOR PLACEMENT.



10078557-101



title ZipLine ORTHOGONAL VERT HDR 6 PR, 6 IMLA, 3.6mm PITCH, 21.6mm	dwg no 10078557	Rev. A
catalog no -	CUSTOMER	sheet 4 of 4