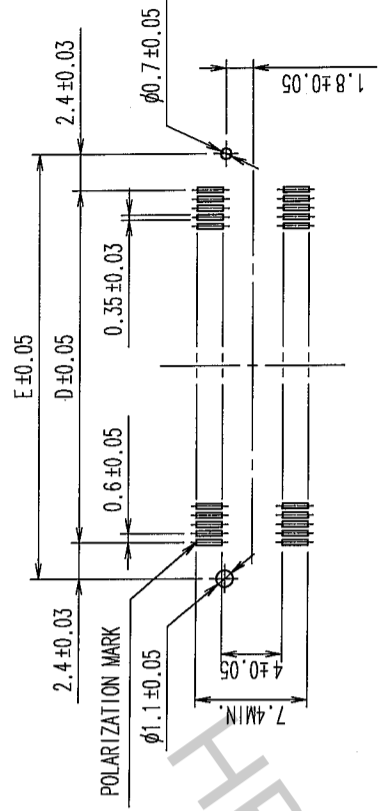


COUNT	DESCRIPTION OF REVISIONS	BY	CHKD	DATE	COUNT	DESCRIPTION OF REVISIONS	BY	CHKD	DATE
3	RE-F-09671	K.N	H.Y	04.04.08					
1	DIS-F-000293	K.D	H.O	05.07.28					

RECOMMENDED LAND PATTERN DIMENSION OF P.C.B. (MOUNTING SIDE)



DIMENSION TABLE OF CONNECTOR AND P.C.B. LAND PATTERN.

PART No.	CODE No.	6	7	A	B	C	D	E
FX8C-60S-SV(93)	CL578-0801-2-93	60	X	24.60	23.05	20.80	17.40	22.20
FX8C-80S-SV(93)	CL578-0803-8-93	80	X	30.60	29.05	26.80	23.40	28.20
FX8C-100S-SV(93)	CL578-0805-3-93	100	X	36.60	35.05	32.80	29.40	34.20
FX8C-120S-SV(93)	CL578-0806-6-93	120	-	42.60	41.05	38.80	35.40	40.20
FX8C-140S-SV(93)	CL578-0807-9-93	140	-	48.60	47.05	44.80	41.40	46.20

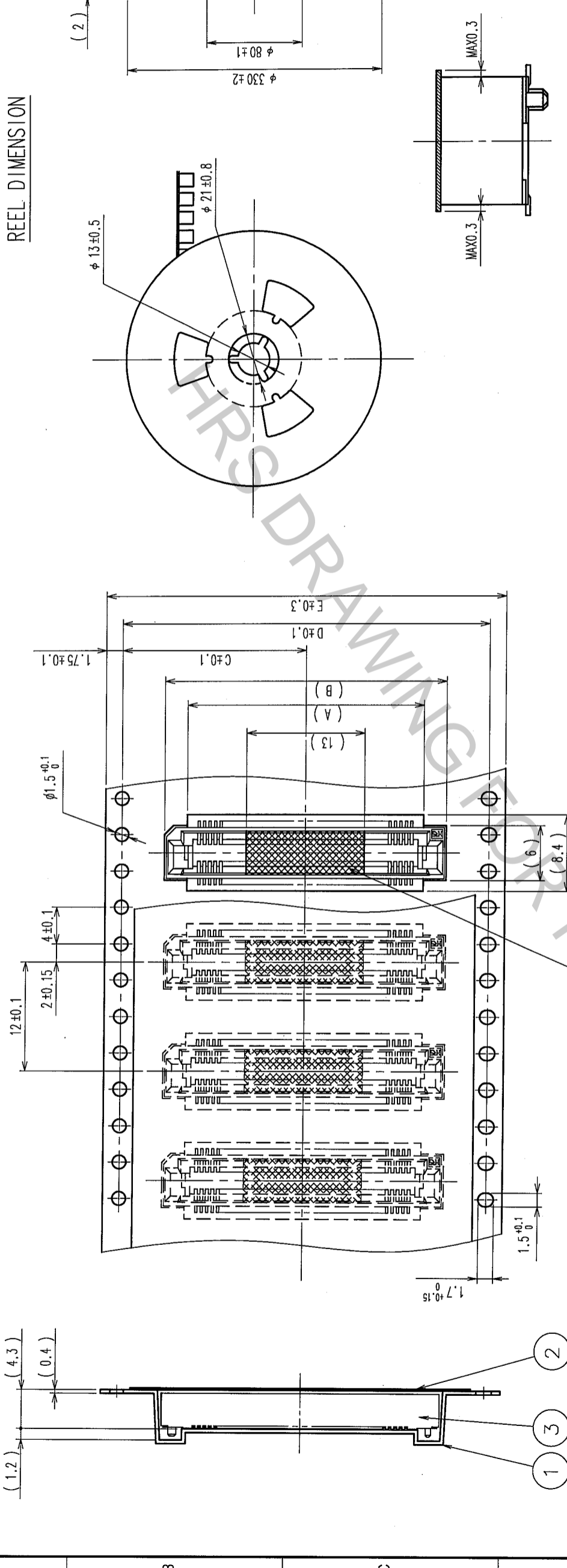
- NOTE 1. LEAD CO-PLANARITY SHALL BE 0.1mm MAX.
 2. EMBOSSED CARRIER TAPE PACKAGING SHALL BE APPLIED TO THIS PRODUCT. SEE NEXT PAGE FOR DETAILS.
 3. THIS PRODUCT HAS TAPE FOR VACUUM PICKUP. SEE NEXT PAGE FOR DETAIL OF STICKING POSITION, ETC.
 4. FOR MODIFICATION, ETC., PREVENTIVE HOLE FOR SINK MARK MAY BE ADDED ACCORDING TO CIRCUMSTANCES.
 5. THE DIMENSIONS IN PARENTHESES ARE FOR REFERENCE.
- 6 NUMBER OF CONTACTS.
 7 EXISTENCE
 X: PRODUCED, -: NO PRODUCED

1	PPS	LIGHT BROWN (UL94V-0)	2	PHOSPHOR BRONZE	CONTACT AREA: GOLD 0.1μm min. LEAD AREA: GOLD FLASH UNDER PLATING: NICKEL 0.5μm min.
NO.	MATERIAL	FINISH, REMARKS	NO.	MATERIAL	FINISH, REMARKS

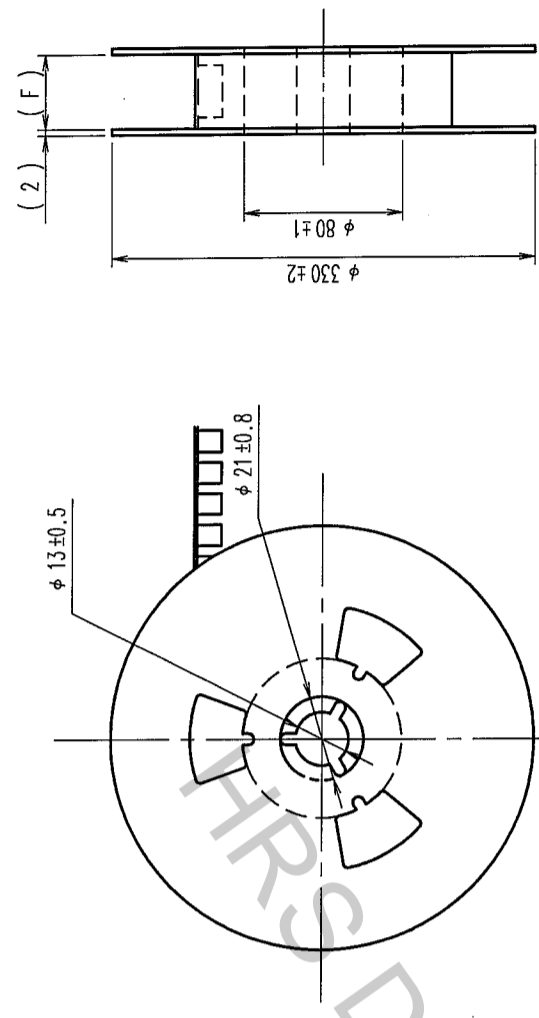
DRAWING NO. EDC3-151022-23		PART NO. FX8C-**-S-SV(93)	
SCALE FREE	DRAWN S.SUZUKI	DESIGNED K.NAKAMURA	CHECKED H.OKAWA
UNITS mm	03.02.07	03.02.17	03.02.18
HIROSE ELECTRIC CO., LTD		Y. YOSHIMURA	
CODE NO.		APPROVED	
CL		03.02.19	
RELEASED		03.02.18	

TO	PCK		
----	-----	--	--

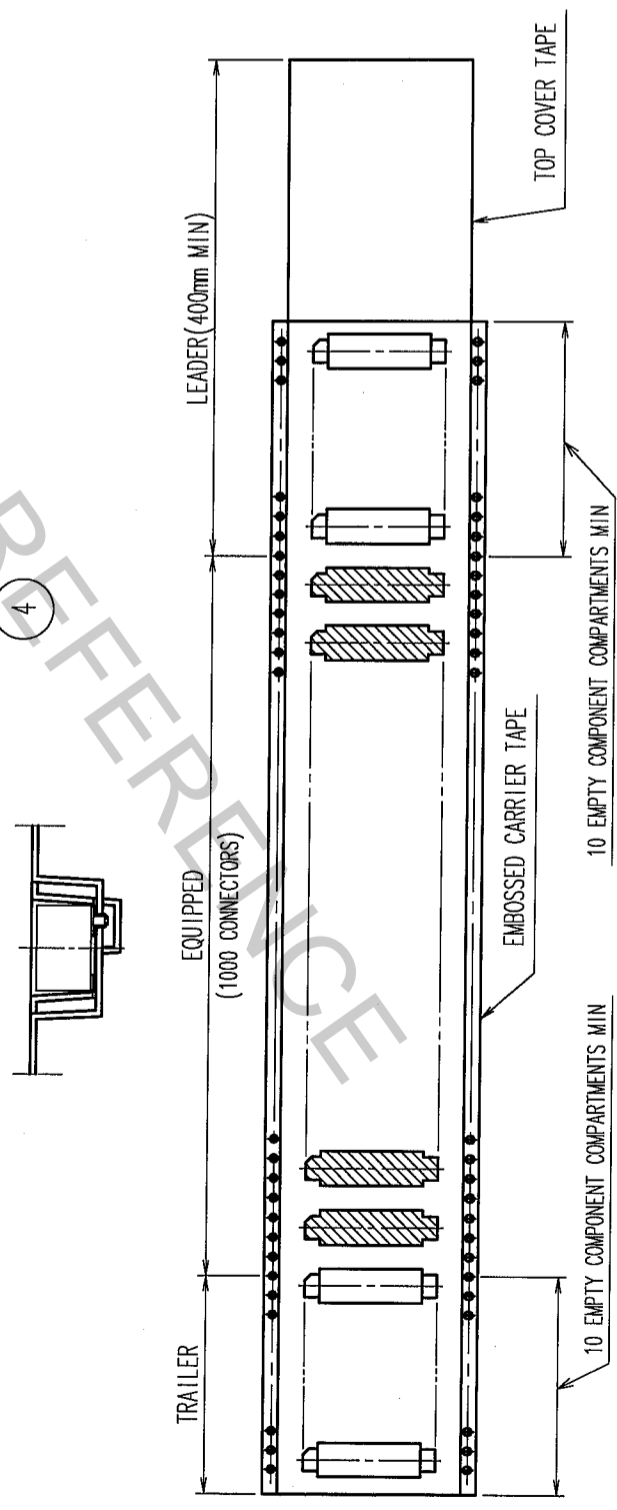
COUNT	DESCRIPTION OF REVISIONS	BY	CHKD	DATE	COUNT	DESCRIPTION OF REVISIONS	BY	CHKD	DATE
△					△				
△					△				
△					△				



REEL DIMENSION



DETAIL OF TAPE FOR VACUUM PICKUP(5:1)



△ DIMENSION TABLE OF EMBOSSED CARRIER TAPE AND REEL.

PART No.	CODE No.	2	3	A	B	C	D	E	F
FX8C-60S-SV(93)	CL578-0801-2-93	60	X	20	25	20.2	40.4	44	44.4
FX8C-80S-SV(93)	CL578-0803-8-93	80	X	26	31	20.2	40.4	44	44.4
FX8C-100S-SV(93)	CL578-0805-3-93	100	X	32	37	26.2	52.4	56	56.4
FX8C-120S-SV(93)	CL578-0806-6-93	120	-	38	43	26.2	52.4	56	56.4
FX8C-140S-SV(93)	CL578-0807-9-93	140	-	44	49	34.2	68.4	72	72.4

NO.	MATERIAL	FINISH, REMARKS	NO.	MATERIAL	CHECKED	DESIGNED	DRAWN	APPROVED	RELEASED
2	POLYESTER	(TOP COVER TAPE)	4	POLYIMIDE					
1	PS	(EMBOSSED CARRIER TAPE)	3	(CONNECTOR)					
CODE NO. (OLD)		FINISH, REMARKS		MATERIAL		DESIGNED		APPROVED	
CL						K. NAKAMURA		Y. YOSHIMURA	
						S. SUZUKI		H. OKAWA	
						03.02.07		03.02.18	
						03.02.17		03.02.19	
DRAWING NO.		PART NO.		CODE NO.		FINISH, REMARKS			
EDC3-151022-23		FX8C-**-S-SV(93)		CL578					
SCALE		HIROSE ELECTRIC CO., LTD		CL578					
FREE									
UNITS									
mm									

NOTE
 1. 1 REEL : 1000 CONNECTORS
 2. NUMBER OF CONTACTS
 3. EXISTENCE
 X : PRODUCED, - : NO PRODUCED

TO	
PCK	