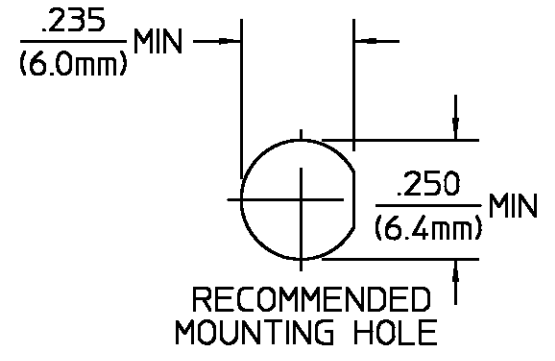


| | |
|-------------------------------------|------|
| DESIGNED FOR USE WITH RD188/U CABLE | |
| CABLE ENTRY DIAMETER MINIMUM | |
| CONTACT | .021 |
| DIELECTRIC | .021 |
| SLEEVE | .066 |
| FERRULE | .137 |

| REVISIONS | | | |
|-----------|-------------|----------|-------------|
| REV | DESCRIPTION | DATE | APPROVED |
| 010 | RELEASED | 10/26/93 | <i>M.M.</i> |



| ELECTRICAL | MECHANICAL | ENVIRONMENTAL |
|---|--|---|
| Nominal Impedance (Ohms) <u>50</u> | Interface Dimensions MIL-STD-348A, Fig. <u>310.2</u> | Temperature Rating <u>-55°C to +125°C</u> |
| Frequency Range (GHz) DC to <u>12.4</u> | Recommended Mating Torque <u>N/A</u> | Vibration MIL-STD-202, Method 204, Condition B |
| Volt Rating (VRMS MAX) @ Sea Level <u>250</u> | Mating Characteristics: Insertion (MAX Lbs) <u>3.0</u> | Shock MIL-STD-202, Method 213, Condition I |
| VSWR <u>1.15 + .02 f(GHz)</u> | Withdrawal (MIN Oz) <u>1.0</u> | Thermal Shock MIL-STD-202, Method 107, Condition B, Except High Temp +125°C |
| Insertion Loss (dB MAX) <u>.06</u> | Force to Engage and Disengage (In-Lbs MAX) <u>2.0</u> | Moisture Resistance MIL-STD-202, Method 106 |
| RF Leakage (dB MIN) <u>-[60-f(GHz)]</u> | Center Contact Captivation: Axial (Lbs) <u>3.0</u> | Corrosion - MIL-STD-202, Method 101, Condition B, 5% salt spray |
| Corona, 70,000 Ft (VRMS MIN) <u>190</u> | Radial (In-Oz) <u>N/A</u> | |
| Dielectric Withstanding Voltage (VRMS MIN) @ Sea Level <u>750</u> | Cable Retention: Axial Force (Lbs) <u>20 MIN</u> | |
| Contact Resistance (Milliohms MAX): Center Contact <u>2.0</u> | Torque (In-Oz) <u>N/A</u> | |
| Outer Contact <u>3.0</u> | Weight (Grams) <u>TBD</u> | |
| Cable to Housing <u>0.5</u> | | |
| RF High Potential @ Sea Level (VRMS MIN @ 5 MHz) <u>500</u> | | |
| I.R.(Megohms MIN) <u>5000</u> | | |

| COMPONENT | MATERIAL | FINISH |
|---------------------------------------|--|--|
| HOUSING MOUNTING NUT CLAMP NUT SLEEVE | STAINLESS STEEL PER ASTM-A484 AND ASTM-A582, TYPE 303 | GOLD PLATE PER MIL-G-45204 OVER NICKEL PLATE PER QQ-N-290 |
| DIELECTRIC | TFE FLUOROCARBON PER ASTM-D-1457 | N/A |
| CENTER CONTACT | BERYLLIUM COPPER PER ASTM B 196, ALLOY C17300, CONDITION H | GOLD PLATE PER MIL-G-45204 OVER COPPER PLATE PER MIL-C-14550 |
| LOCKWASHER | PHOSPHOR BRONZE PER QQ-B-750, GRADE B2 | GOLD PLATE PER MIL-G-45204 OVER COPPER PLATE PER MIL-C-14550 |
| 'O' - RING | SILICONE RUBBER PER ZZ-R-765 | N/A |
| SHRINK TUBING | HEAT SHRINKABLE POLYOLEFIN COMPOUND MIL-I-23053/4 | N/A |
| REAR DIELECTRIC | NYLON | N/A |

UNLESS OTHERWISE SPECIFIED DIMENSIONS ARE IN INCHES TOLERANCE ON

| | | |
|--------|-------|--------|
| FRAC. | DEC. | ANGLES |
| ± 1/64 | ±.005 | ± ° |

These drawings and specifications are the property of Omni Spectra Incorporated and shall not be reproduced or copied or used in whole or in part as the basis for the manufacture or sale of item(s) without written permission.

DRAWN BY *M.M.* DATE 10/26/93
 CHECKED BY
 APP'D BY

USE ASS'Y PROCEDURE

408-04958
 NO. AP. (20-143)

AMP Incorporated
 140 Fourth Avenue
 Waltham, MA 02451-7599

TITLE OSM STRAIGHT BULKHEAD FEEDTHROUGH CABLE JACK - SOLDER ATTACHMENT

| | | | |
|-----------|----------------------|--------------|--------------|
| SIZE B | CODE IDENT NO. 26805 | 2034-5021-95 | REV 010 |
| SCALE 3:1 | | | SHEET 1 OF 1 |