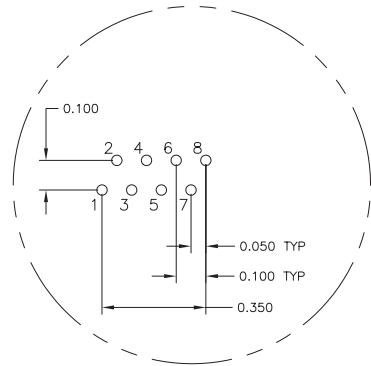
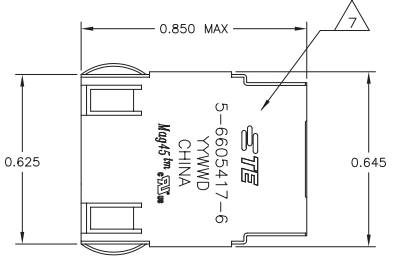
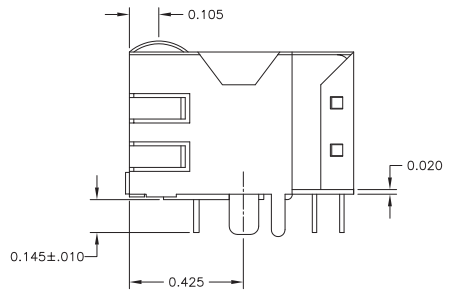
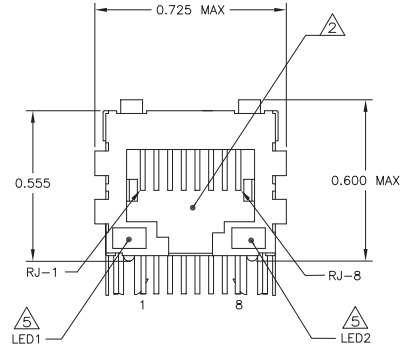


REVISONS		DATE	BY	APP'D
AA	22			
F	LR	DESCRIPTION	DATE	BY
E	REV PER	ECO-11-025483	09APR2012	TY KZ

MECHANICAL:



Pin Designations



- MATERIALS:**
- HOUSING - THERMOPLASTIC PET POLYESTER FLAMMABILITY RATING UL 94V-0.
 - SHIELD - .010" THICK, C26800 BRASS PREPLATED WITH 30m INCH MIN SEMI-BRIGHT NICKEL. SOLDER TABS POST DIPPED WITH 100m INCH MIN SAC SOLDER.
 - MOD JACK CONTACTS - 0.0157 X 0.018" PHOSPHOR BRONZE, 1.27um MIN NICKEL UNDERPLATE, WITH 1.27um MIN GOLD PLATING AT MATING INTERFACE AND 2.54um MIN MATTE TIN ON SOLDER TAILS, OR 1.27um MIN NICKEL UNDERPLATE, WITH 0.05um GOLD PLATING OVER 0.76um MIN PALLADIUM NICKEL PLATING AT MATING INTERFACE AND 2.54um MIN MATTE TIN ON SOLDER TAILS.
 - SOLDERTAILS WITH 100m INCH MIN MATTE TIN AND/OR SAC SOLDER DIP.
 - LIGHT EMITTING DIODE(LED) - DIFFUSED EPOXY LENS, .020" X .020" CARBON STEEL WIREFRAME LEADS PRE-PLATED WITH 80m INCH SILVER OVER 4.0m INCH NICKEL UNDERPLATE OVER 4.0m INCH COPPER UNDERPLATE. POST-PLATED WITH 100m INCH MIN MATTE TIN AND/OR SAC SOLDER DIP OR PURE TIN SOLDER DIP.
- RJ45 JACK CAVITY CONFORMS TO FCC RULES AND REGULATIONS PART 68, SUB PART F.**

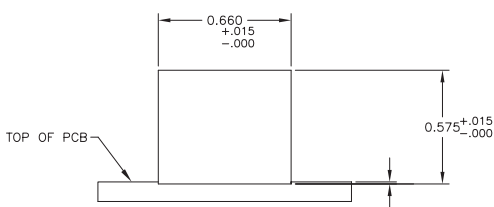
- MAGNETICS:**
- IMPEDANCE: 100 OHMS
 - TURNS RATIO (CHIP-CABLE): TX = 1.1, RX = 1.1
 - OPEN CIRCUIT INDUCTANCE (OCL): 350mH MIN @100kHz, 0.1VRMS, 8mADC BIAS FROM 0°C TO 70°C, TX AND RX
 - PERFORMANCE @ 25°C:
 - INSERTION LOSS (IL): 1.1dB MAX FROM 0.5MHz TO 100MHz
 - RETURN LOSS (RL): 18dB MIN FROM 0.5MHz TO 30MHz
 - 18-20LOG(F/30)dB MIN FROM 30.1MHz TO 60MHz
 - 12dB MIN FROM 60.1MHz TO 80MHz
 - CROSSTALK ATTENUATION: 35dB MIN FROM 0.5MHz TO 40MHz
 - 33-20LOG(F/50)dB MIN FROM 40.1MHz TO 100MHz
 - COMMON MODE REJECTION RATIO (CMRR): 30dB MIN FROM 0.5MHz TO 100MHz
4. -ISOLATION VOLTAGE: 2250VDC (MAX) FOR 60 SECONDS WITH A RISE TIME OF 500V/SEC.

- OPERATING TEMPERATURE: FROM 0°C TO +70°C.
- LEDS ARE DRIVEN WITH CONSTANT CURRENT AT APPROX 20mA.
- LED COLOR: DOMINANT WAVELENGTH (AD): GREEN 568 nm TYP @ IF=20mA
- FORWARD VOLTAGE (VF): GREEN 2.2V TYP @ IF=20mA
- DOMINANT WAVELENGTH (AD): YELLOW 588 nm TYP @ IF=20mA
- FORWARD VOLTAGE (VF): YELLOW 2.1V TYP @ IF=20mA.

- INDICATED CONNECTIONS ARE FOR NIC CONFIGURATION. THE MAGNETICS ARE ASYMMETRICAL, AND DO NOT SUPPORT AUTO-MDI/MDIX.

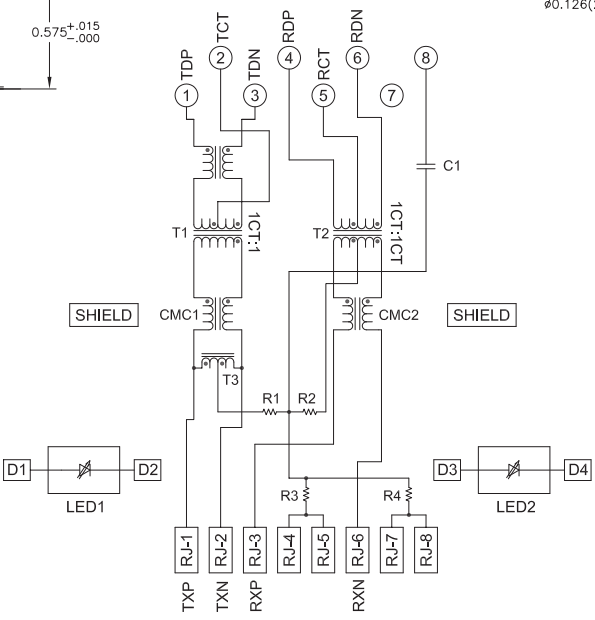
- TE CONNECTIVITY LOGO, PART NUMBER, DATE CODE, COUNTRY OF ORIGIN AND AGENCY APPROVAL MARKING IN APPROXIMATE LOCATION SHOWN.

THE PART IS RECOMMENDED FOR WAVE SOLDERING PROCESS, PREHEAT TEMPERATURE IS 120°C TO 160°C, 120 SECONDS TO 180 SECONDS, PEAK SOLDERING TEMPERATURE IS 260 °C MAX, 10 SECONDS MAX.

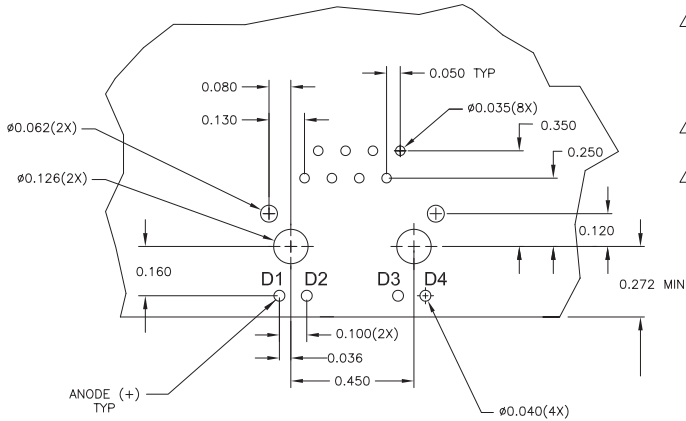


Suggested Panel Cutout

417P1 SERIES MAGNETIC CIRCUIT



C1=1000pF, 2kV DECOUPLING CAPACITOR
R1-R4 = 75 OHMS, 1/16 W RESISTORS



Suggested PCB Layout (Component Side)



LED CONFIGURATION FOR 5-6605417-6 ONLY

GREEN	GREEN	5-6605417-7
GREEN/YELLOW	GREEN/YELLOW	5-6605417-6
LED1	LED2	PART NUMBER

THIS DRAWING IS A CONTROLLED DOCUMENT.		CHK BY: ATTADIA - 00000001	DATE: 20AUG2007	NAME: 1X1 MAG45(TM), MODULAR JACK, 4N2P1 SCHEMATIC, 417 SERIES CIRCUIT, SHIELDED, DECOUPLING CAPACITOR, WITH LEDS
DIMENSIONS: INCHES UNLESS OTHERWISE SPECIFIED.		CHK BY: FAROLE - 00000001	DATE: 20AUG2007	NAME: 1X1 MAG45(TM), MODULAR JACK, 4N2P1 SCHEMATIC, 417 SERIES CIRCUIT, SHIELDED, DECOUPLING CAPACITOR, WITH LEDS
0 P/C	-	APPROVED BY: FLICKINGER	DATE: 20AUG2007	NAME: 1X1 MAG45(TM), MODULAR JACK, 4N2P1 SCHEMATIC, 417 SERIES CIRCUIT, SHIELDED, DECOUPLING CAPACITOR, WITH LEDS
1 P/C	010	PRODUCT SPEC	108-2100	APPLICATION SPEC
2 P/C	005	SIZE		CAGE CODE
3 P/C	005	SCALE		DRAWING NO
4 P/C	005	WEIGHT		REV
MATERIAL		FINISH		SCALE
				NTS
				SHEET 1 OF 1
				REV E