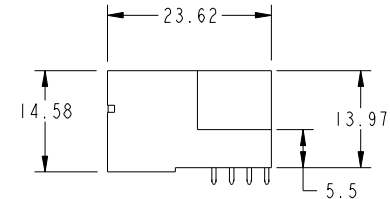
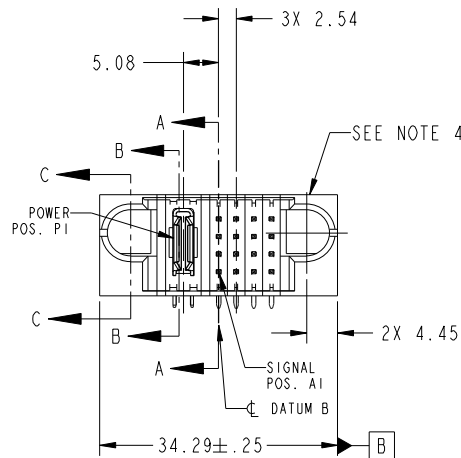


Tous droits strictement reserves. Reproduction ou communication a des tiers interdite sous quelque forme que ce soit sans autorisation écrite du propriétaire. Propriete de c FCI. Droits de reproduction FCI.



All rights strictly reserved. Reproduction or issue to third parties in any form whatever is not permitted without written authority from the proprietor. Property of FCI. Copyright FCI.

PRODUCT NO.	ROWS	POWER		SIGNAL				E2
		E1	P1	1	2	3	4	
51824-004... NOTE 3	D C B A			A	A	A	A	
			PT	AT	AT	AT	AT	
			AS	AS	AS	AS	AS	
			AR	AR	AR	AR	AR	



CODE	DIM "M" MATING LENGTH	CONTACT TYPE
PT	[N/A]	POWER
AR	[6.86]	SIGNAL
AS	[6.86]	SIGNAL
AT	[6.86]	SIGNAL
AU	[6.86]	SIGNAL

mat'l code				SEE NOTE		tolerances unless otherwise specified		CUSTOMER		FCI	
ltr	ecn no.	dr	date	linear	0.X ± 0.5	projection		COPY		www.fciconnect.com	
A	DG08-0139	SH	05/31/08	angles	0.XX ± 0.25	MIM		title		IP + 16S	
				dr	0.XXX ± 0.1	← MIM →		product family		PwrBlade	
				enr	0° ± 2°	scale		size		code	
				chr	Sincere He 05/26/08	1:1		dwg no		213	
				appd	Sincere He 05/26/08			51824-004		sheet	
					Gary Hsieh 05/26/08			A		1 of 4	
					Joseph Hsia 05/26/08						
sheet index	revision sheet	A	A	A	A						
		1	2	3	4						

cage code 22526

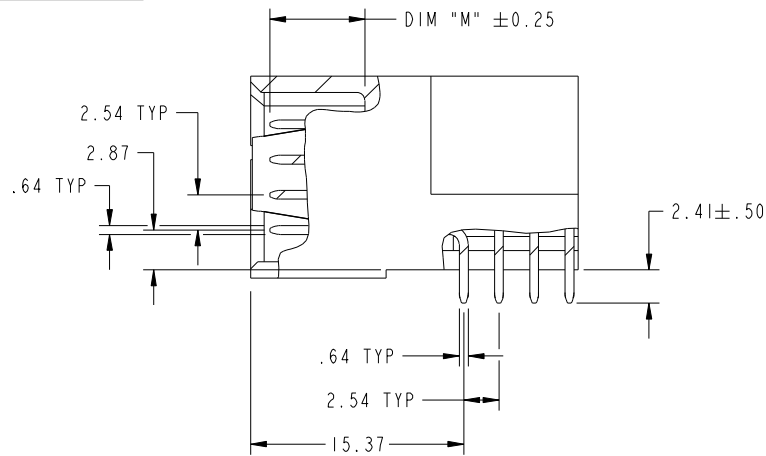
Pro/E

Tous droits strictement reserves. Reproduction ou communication a des tiers interdite sous quelque forme que ce soit sans autorisation écrite du propriétaire. Propriete de c FCI. Droits de reproduction FCI.

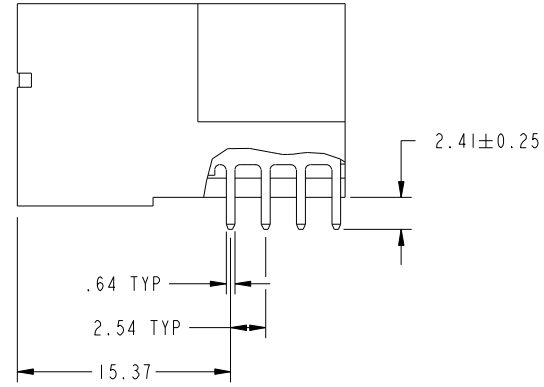
All rights strictly reserved. Reproduction or issue to third parties in any form whatever is not permitted without written authority from the proprietor. Property of FCI. Copyright FCI.



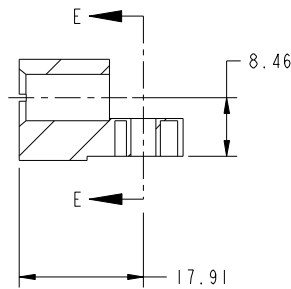
PRODUCT NUMBER
51824-004--
NOTE: 3



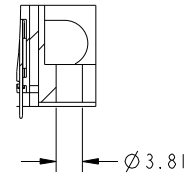
BROKEN-OUT SECTION A-A
SCALE 2:1



BROKEN-OUT SECTION B-B
SCALE 2:1



SECTION C-C



PARTIAL SECTION E-E

CONFIDENTIAL

mat'l code				SEE NOTE		tolerances unless otherwise specified		CUSTOMER		FCI	
ltr	ecr no.	dr	date	linear	0.X ±0.5		COPY		www.fciconnect.com		
A					0.XX ±0.25		projection		title IP + 16S		
					0.XXX ±0.1				RIGHT ANGLE SOLDER HEADER		
					angles	0° ±2°				product family	PwrBlade
				dr	Sincere He	05/26/08	scale		size	dwg no	213
				enr	Sincere He	05/26/08	1:1		A	51824-004	sheet
				chr	Gary Hsieh	05/26/08			2 of 4		
				appd	Joseph Hsia	05/26/08					
sheet index	revision sheet										

cage code 22526

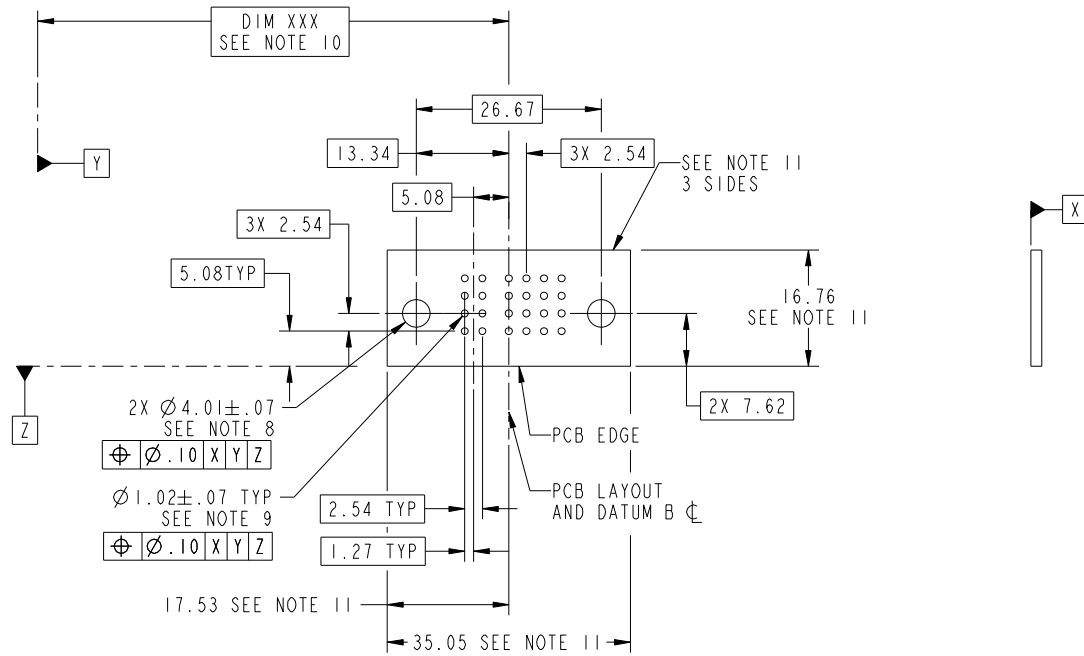
Pro/E

Tous droits strictement reserves. Reproduction ou communication a des tiers interdite sous quelque forme que ce soit sans autorisation écrite du propriétaire. Propriete de c FCI. Droits de reproduction FCI.



All rights strictly reserved. Reproduction or issue to third parties in any form whatever is not permitted without written authority from the proprietor. Property of FCI. Copyright FCI.

PRODUCT NUMBER
51824-004--
NOTE: 3



RECOMMENDED PCB LAYOUT

mat'l code		SEE NOTE		tolerances unless otherwise specified		CUSTOMER		 www.fciconnect.com	
ltr	ecn no.	dr	date	linear	0.X ± 0.5	COPY		title	
A					0.XX ± 0.25	projection		IP + 16S	
				angles	0.XXX ± 0.1			RIGHT ANGLE SOLDER HEADER	
				dr	Sincere He 05/26/08	MIM		product family PwrBlade code	
				enr	Sincere He 05/26/08			size 213	
				chr	Gary Hsieh 05/26/08	scale		dwg no 51824-004 sheet	
				appd	Joseph Hsia 05/26/08	1:1		3 of 4	
sheet index		revision sheet							

cage code 22526

Pro/E

Tous droits strictement reserves. Reproduction ou communication a des tiers interdite sous quelque forme que ce soit sans autorisation écrite du propriétaire. Propriete de c FCI. Droits de reproduction FCI.



All rights strictly reserved. Reproduction or issue to third parties in any form whatever is not permitted without written authority from the proprietor. Property of FCI. Copyright FCI.

PRODUCT NUMBER
51824-004--
NOTE: 3

NOTES:

1. DIMENSIONS AND TOLERANCES ARE IN ACCORDANCE WITH ASME Y14.5M, 1994 UNLESS OTHERWISE SPECIFIED.

CONNECTOR NOTES:

- 2. HOUSING MATERIAL: UL 94 V-0 GLASS FILLED
HIGH-TEMP THERMOPLASTIC
POWER CONTACT MATERIAL: COPPER ALLOY
SIGNAL PIN MATERIAL: COPPER ALLOY
- 3. 51824-004; 51824-004LF PLATING SPEC. SEE PRINT:10064183
- 4. MANUFACTURER'S NAME, P/N, AND DATE CODE TO APPEAR ON THIS SURFACE.
- 5. PRODUCT SPECIFICATION GS-12-149.
APPLICATION SPECIFICATION BUS-20-067.
- 6. PACKAGED IN TRAYS.

PCB NOTES:

- 7. ALL HOLE DIAMETERS ARE FINISHED HOLE SIZE.
- 8. MOUNTING HOLES, WHERE APPLICABLE, ARE UNPLATED.
- 9. $\varnothing 1.151 \pm 0.025$ DRILLED HOLES PLATED WITH
0.008 MIN SnPb OR Sn OVER 0.03
TO 0.08 Cu PLATING TO ACHIEVE
 $\varnothing 1.02 \pm .07$ HOLE.
- 10. "DIM XXX" TO BE DETERMINED BY THE CUSTOMER.
- 11. CONNECTOR KEEP-OUT ZONE.

CONFIDENTIAL

mat'l code				SEE NOTE	tolerances unless otherwise specified	CUSTOMER	FCI www.fciconnect.com	
ltr	ecn no.	dr	date	linear	0.X ± 0.5	COPY	title	
A					0.XX ± 0.25	projection	IP + 16S RIGHT ANGLE SOLDER HEADER	
				angles	0.XXX ± 0.1		product family PwrBlade code	
				dr	0° ± 2°	MIM	size	213
				enr	Sincere He 05/26/08	← MIM →	dwg no	4 of 4
				chr	Sincere He 05/26/08	scale	51824-004	
				appd	Gary Hsieh 05/26/08	1:1	sheet	
					Joseph Hsia 05/26/08		4 of 4	
sheet index	revision sheet							

cage code 22526

Pro/E